

Rated current: 28A

Rated voltage: 300V

Use wire diameter: 24-10AWG



The catalog is for reference only. The actual specifications are subject to the product engineering drawings. version 1.0

UL ( 1059 )

Use Group	B	C	D
Rate Voltage [V]	300	300	600
Rated Current [A]	28	28	5
Wire Range [AWG]	24 ~ 10		

IEC ( 60947-7-1 )

Rated Voltage [V]	500
Rated Current [A]	28
Soild [mm <sup>2</sup> ]	0.2-4.0
Flexible [mm <sup>2</sup> ]	0.2-4.0
Flexible with ferrule [mm <sup>2</sup> ]	0.2-4.0

Overvoltage Category	III
Contamination Class	3
Impulse withstand voltage [KV]	6

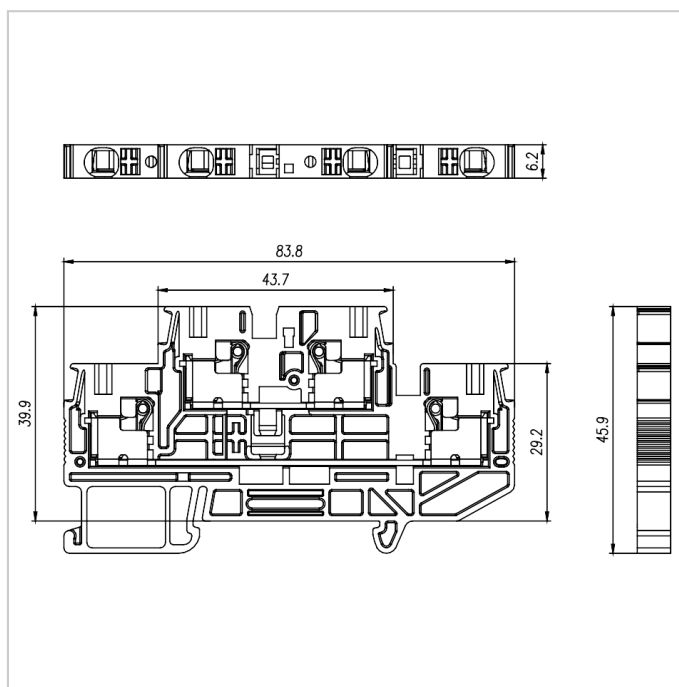
### Material

Insulation Material	PA66
Flame retardant rating	UL94V-0
Conductor Material	Copper alloy
Plating of conductor surface	Sn plated

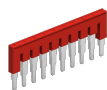
### Other Date

Length/Height/Thickness [mm]	83.8/45.9/6.2
Stripping Length [mm]	10-12

### Dimensions



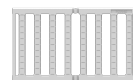
### Accessories



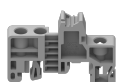
FUVA4-XX



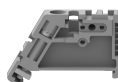
DUV4-202



PUV4-80



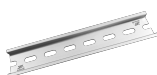
EB-35



EW-35



DGL2-35x7.5A



DGL2-35x7.5B



DGL2-35x7.5C



DGL2-35x7.5D