

Rated current: 30A

Rated voltage: 600V

Use wire diameter: 24-10AWG



The catalog is for reference only. The actual specifications are subject to the product engineering drawings. version 1.0

UL ( 1059 )

Use Group	B	C	D
Rate Voltage [V]	600	600	600
Rated Current [A]	30	30	5
Wire Range [AWG]	24 ~ 10		

IEC ( 60947-7-1 )

Rated Voltage [V]	800
Rated Current [A]	32
Soild [mm <sup>2</sup> ]	0.2-6.0
Flexible [mm <sup>2</sup> ]	0.2-4.0
Flexible with ferrule [mm <sup>2</sup> ]	0.2-4.0

# GUV4-103

GUV Push-In DIN-Rail TB

Download Date:2026-06-29



Overvoltage Category	III
Contamination Class	3
Impulse withstand voltage [KV]	8

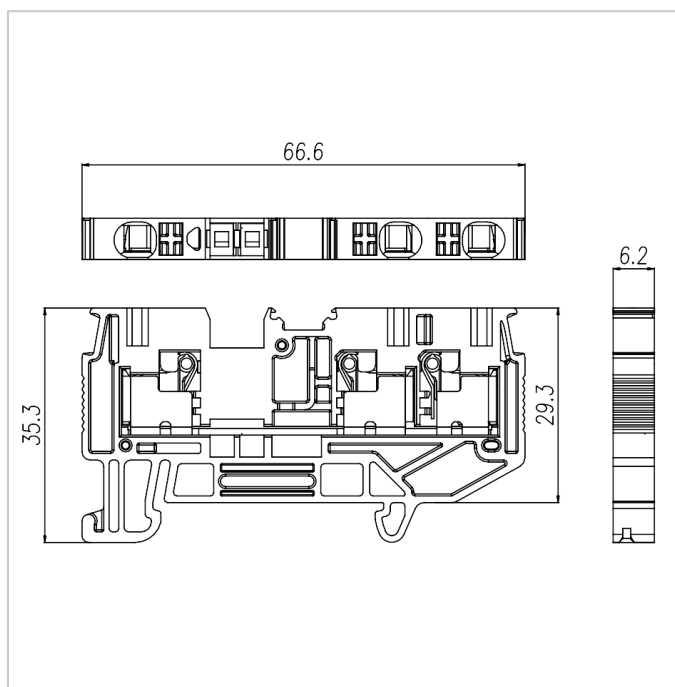
## Material

Insulation Material	PA66
Flame retardant rating	UL94V-0
Conductor Material	Copper alloy
Plating of conductor surface	Sn plated

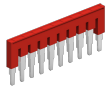
## Other Date

Length/Height/Thickness [mm]	66.6/35.3/6.2
Stripping Length [mm]	10-12

## Dimensions



## Accessories



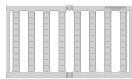
FUVA4-XX



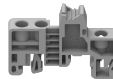
DUV4-103



MUV4-10



PUV4-80



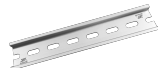
EB-35



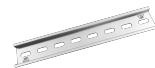
EW-35



DGL2-35x7.5A



DGL2-35x7.5B



DGL2-35x7.5C



DGL2-35x7.5D