



插拔式连接器

额定电流: 18 A

额定电压: 300 V

使用线径: 30-12 AWG

间距: 5.08 mm



目录仅供参考，实际规格依产品工程图为准 版本1.0

## 技术数据-UL/CUL

| 等级 Use Group                     | B     | C | D |
|----------------------------------|-------|---|---|
| 额定电压 Rate Voltage [V]            | 300   | - | - |
| 额定电流 Rated Current [A]           | 18    | - | - |
| 接线范围 Wire Range [AWG]            | 30-12 |   |   |
| 耐电压 Dielectric Voltage-Withstand | 1.6KV |   |   |

## 技术参数-IEC

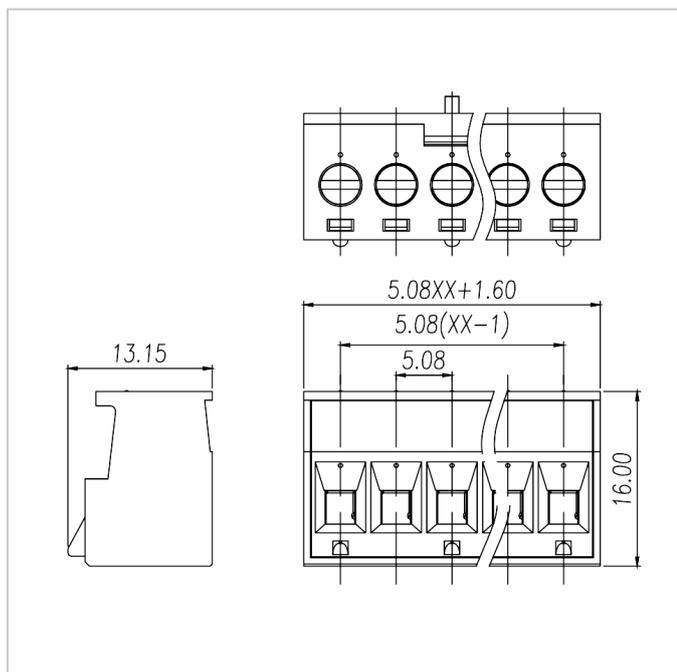
| 过电压类别 Overvoltage Category                            | III     | III | II  |
|---|---------|-----|-----|
| 污染等级 Contamination Class                              | 3       | 2   | 2   |
| 额定电压 Rated Voltage [V]                                | 250     | 320 | 630 |
| 额定电流 Rated Current [A]                                | 15      | 15  | 15  |
| 额定冲击电压 Impulse withstand voltage [KV]                 | 4       | 4   | 4   |
| 导线截面积[硬/柔] Conductor cross section [mm <sup>2</sup> ] | 0.2-2.5 |     |     |

## 材料 Material

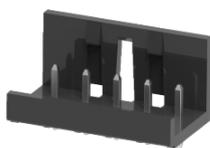
|                          |      |
|--------------------------|------|
| 绝缘材料 Insulation Material | PA66 |
|--------------------------|------|

|                                     |              |
|-------------------------------------|--------------|
| 阻燃等级 Flame retardant rating         | UL94V-0      |
| 导体材料 Conductor Material             | Copper alloy |
| 导体表面镀层 Plating of conductor surface | Sn plated    |
| <b>一般参数 Other Data</b>              |              |
| 间距/极数 Pitch/Poles [mm]/[P]          | 5.08/2-24    |
| 剥线长度 Stripping Length [mm]          | 7-8          |
| 螺丝/扭矩 Screw/Torque(Max)[N.m]        | M3/0.5       |
| 工作温度 Operating temperature [°C]     | -40~+105     |

## 尺寸图



## 配件



WJ2EDGJ-5.08