



PCB connector
Rated current: 41 A
Rated voltage: 600 V
Wire range: 24-8 AWG
Pitch: 7.62 mm



For reference only!version1.0

UL/CUL

Use Group	B	C	D
Rate Voltage [V]	600	-	600
Rated Current [A]	41	-	10
Wire Range [AWG]	24-8		
Dielectric Voltage-Withstand	1.6KV		

IEC

Overvoltage Category	III	III	II
Contamination Class	3	2	2
Rated Voltage [V]	1000	1000	1000
Rated Current [A]	41	41	41
Impulse withstand voltage [KV]	8	8	6
Conductor cross section[solid/flexible] [mm²]	0.2-6		

Material

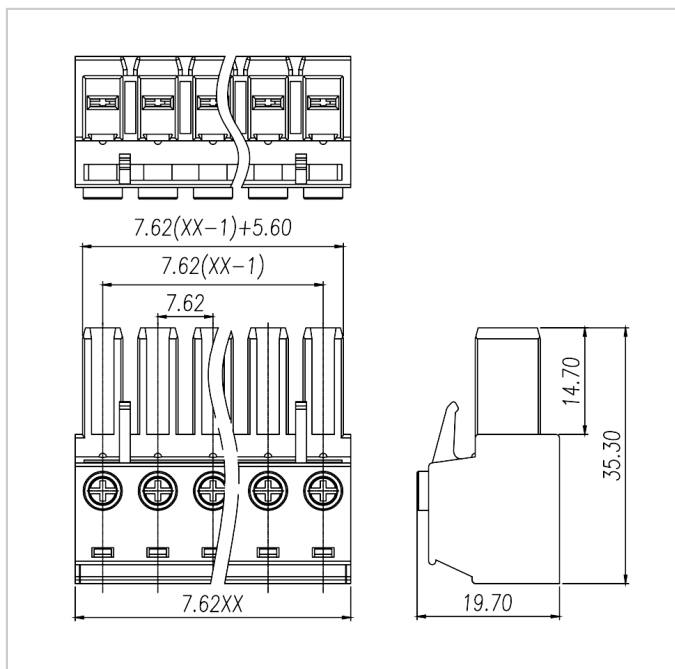
Insulation Material	PA66
---------------------	------

Flame retardant rating	UL94V-0
Conductor Material	Copper alloy
Plating of conductor surface	Sn plated

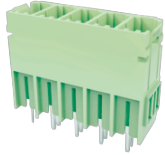
Other Data

Pitch/Poles [mm]/[P]	7.62/2-12
Stripping Length [mm]	10
Screw/Torque(Max)[N.m]	M3/0.5
Operating temperature [°C]	-40~+105
Soldering temperature	/
Pin dimensions [mm]	/
PCB Hole Diameter [mm]	/

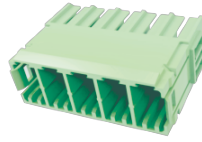
Dimensions



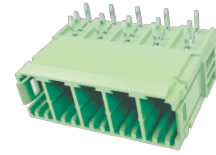
Accessories



[WJ3EDGVH-7.62](#)



[WJ3EDGRH-7.62](#)



[WJ3EDGRRH-7.62](#)