



PCB connector  
 Rated current: 15 A  
 Rated voltage: 300 V  
 Pitch: 7.5 mm/7.62 mm  
 Mounting: Wave soldering



For reference only!version1.0

**UL/CUL**

Use Group	B	C	D
Rate Voltage [V]	300	-	300
Rated Current [A]	15	-	10
Wire Range [AWG]	/		
Dielectric Voltage-Withstand	1.6KV		

**IEC**

Overvoltage Category	III	III	II
Contamination Class	3	2	2
Rated Voltage [V]	400	630	630
Rated Current [A]	15	15	15
Impulse withstand voltage [KV]	6	6	6
Conductor cross section[solid/flexible] [mm²]	/		

**Material**

Insulation Material	PA66
---------------------	------

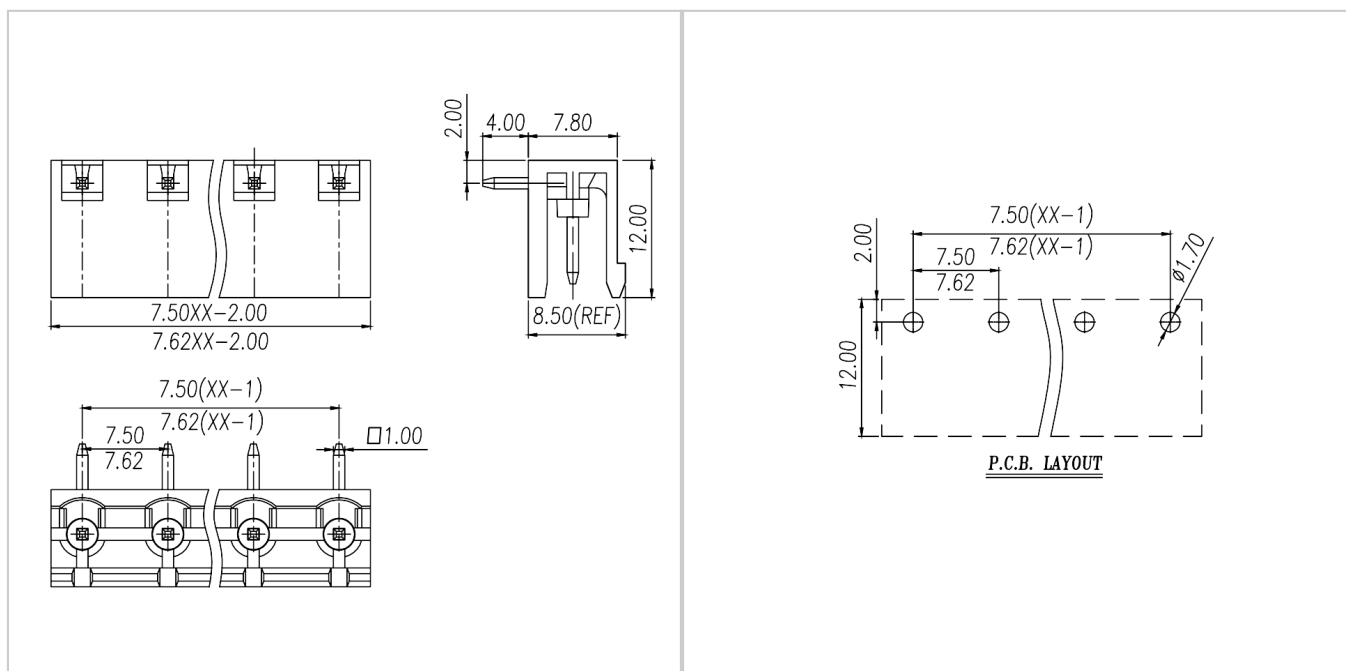
Flame retardant rating	UL94V-0
Conductor Material	Copper alloy
Plating of conductor surface	Sn plated

**Other Data**

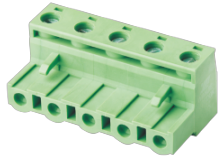
Pitch/Poles [mm]/[P]	7.5 , 7.62/2-24
Stripping Length [mm]	/
Screw/Torque(Max)[N.m]	/
Operating temperature [°C]	-40~+105
Soldering temperature	260°C/5S
Pin dimensions [mm]	1.0*1.0
PCB Hole Diameter [mm]	∅1.7

**Dimensions**

**PCB opening diagram**



**Accessories**



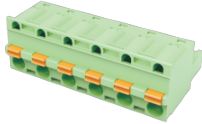
[WJ2EDGK-7.5/7.62](#)



[WJ2EDGKA-7.5/7.62](#)



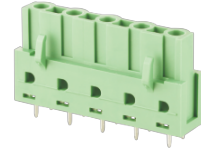
[WJ2EDGKB-7.5/7.62](#)



[WJ2EDGKD-7.5/7.62](#)



[WJ2EDGA-7.62](#)



[WJ2EDGB-7.62](#)