



PCB connector

Rated current: 8 A

Rated voltage: 300 V

Wire range: 28-16 AWG

Pitch: 3.81 mm

Connection method: Push-in spring connection

For reference only!version1.0

### UL/CUL

Use Group	B	C	D
Rate Voltage [V]	300	-	300
Rated Current [A]	8	-	8
Wire Range [AWG]	28-16		
Dielectric Voltage-Withstand	1.6KV		

### IEC

Overvoltage Category	III	III	II
Contamination Class	3	2	2
Rated Voltage [V]	160	160	320
Rated Current [A]	8	8	8
Impulse withstand voltage [KV]	2.5	2.5	2.5
Conductor cross section[solid/flexible] [mm²]	0.2-1.5		

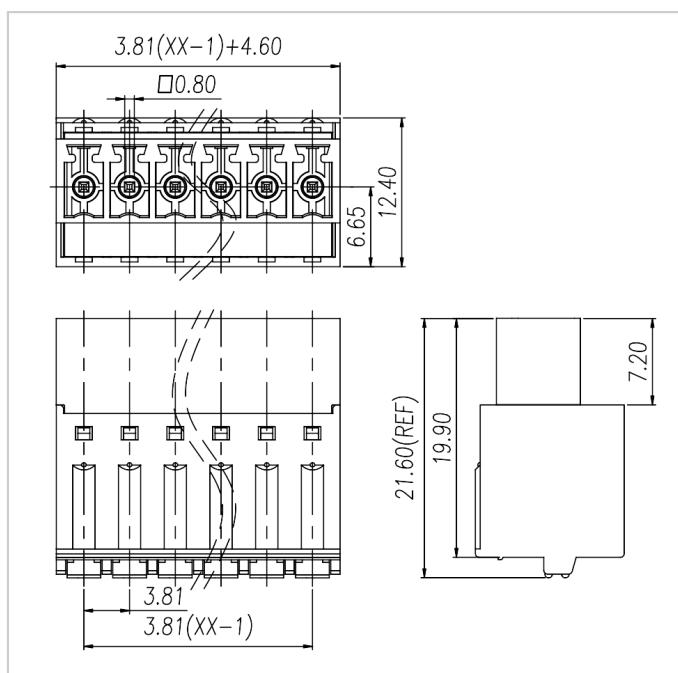
### Material

Insulation Material	PA66
Flame retardant rating	UL94V-0
Conductor Material	Copper alloy
Plating of conductor surface	Sn plated

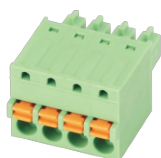
### Other Data

Pitch/Poles [mm]/[P]	3.81/2-24
Stripping Length [mm]	7-8
Screw/Torque(Max)[N.m]	-
Operating temperature [°C]	-40°C~+105°C

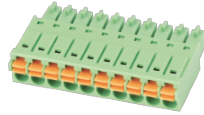
### Dimensions



### Accessories

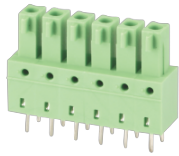


[WJ15EDGKD-3.5/3.81](#)



[WJ15EDGKN-3.5/3.81](#)

[WJ15EDGA-3.5/3.81](#)



[WJ15EDGB-3.5/3.81](#)