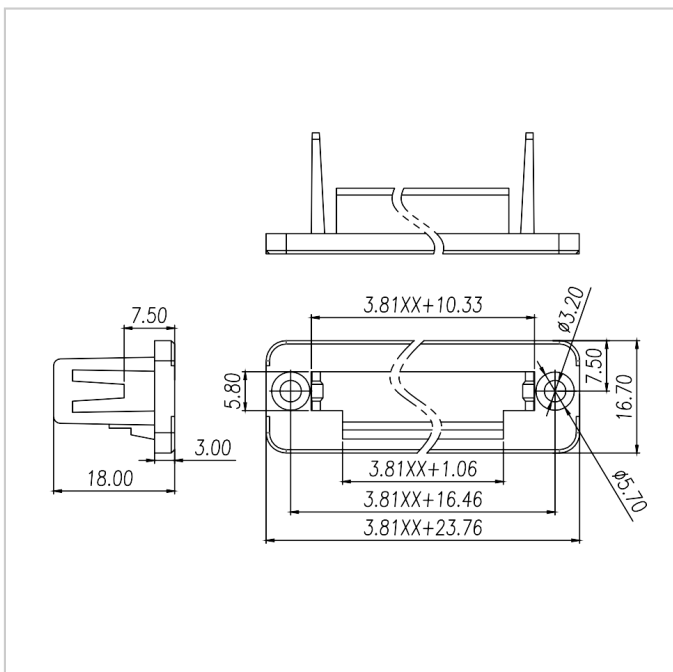
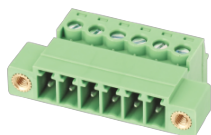


For reference only!version1.0

Dimensions



Accessories



[WJ15EDGKRN-3.81](#)