

Connector Series : M12  
 Gender : Male  
 Coding : A,B,C,D  
 Locking Type : Fix Screw  
 Mounting Type : Rear Fastened  
 Part No : M12-X\*\*-ST0-M02-BH\*-XXX  
           X:A,B,C,D Coding  
           \*\*:03,04,05...(Pin)  
           \*:1=M16X1.5 2=PG9,...

XXX:050=0.5M,100=1M,10M=10M...(Length)



For reference only!version1.0

### Technical Data

Standard	IEC61076-2-101
Ambient Temperatur	-25°C~ +80°C
Insulation Resistance	≥100MΩ
Contact Resistance	≤10mΩ
IP Class	IP67
Mating Endurance	>100 Mating Cycles

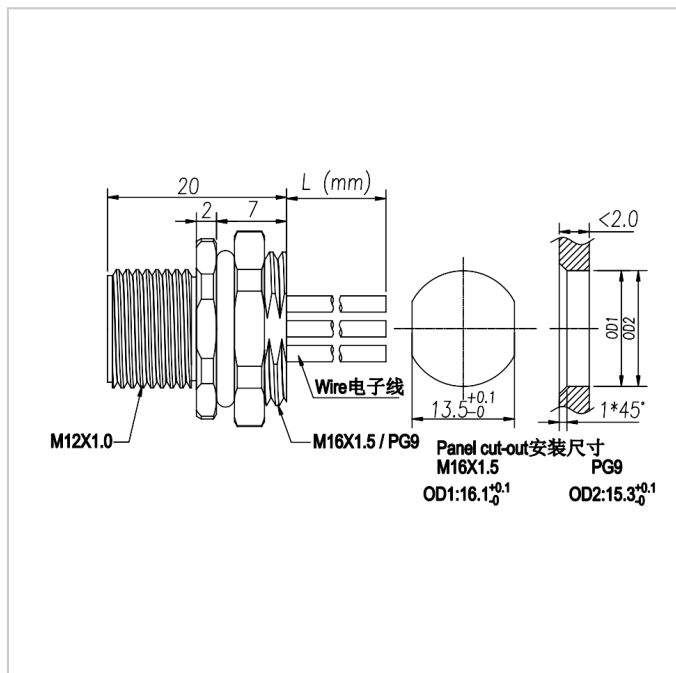
### Material Data

Connector Carriers	PA
Connector Contacts	Copper Alloy With Gold Plated 铜镀金
Connector Nut/Screw	Copper Alloy With Nickel Plated 铜镀镍
Seal/O-Ring	FKM 氟橡胶
Shielding	Unshielded 非屏蔽
Contacts Termination	Solder Type 焊接式

### Electrical Data & Mechanical Date

Contacts Pin	3/4Pins	5Pins	6/8Pins	12/17Pins
Rated Current	4A	4/2A	2A	1.5A
Voltage AC/DC	250V	60V	30V	30V
Wire Range AWG/mm <sup>2</sup>	22/0.34	22 , 24/0.34 , 0.25(C- code)	24/0.25	26/0.14

### Dimensions



### Specification Selection Table

# M12 Male Panel Mount, Solder Type, Rear Fastened, With Wires

M12 Circular Connector

Download date : 2025-12-07



Contacts Pin数	Available Coding 防插错编码				Rated Current 额定电流	Voltage 电压		Wire Range 接线范围		Part NO. 产品编号
	A-Coding	B-Coding	C-Coding	D-Coding		AC	DC	AWG	mm <sup>2</sup>	
03Pins					4A	250V	250V	22	0.34	M12-A03-ST0-M02-BH* -XXX M12-B03-ST0-M02-BH* -XXX M12-C03-ST0-M02-BH* -XXX
04Pins					4A	250V	250V	22	0.34	M12-A04-ST0-M02-BH* -XXX M12-B04-ST0-M02-BH* -XXX M12-C04-ST0-M02-BH* -XXX M12-D04-ST0-M02-BH* -XXX
05Pins					4A 2A	60V	60V	22 24 (C-code)	0.34 0.25 (C-code)	M12-A05-ST0-M02-BH* -XXX M12-B05-ST0-M02-BH* -XXX M12-C05-ST0-M02-BH* -XXX
06Pins					2A	30V	30V	24	0.25	M12-C06-ST0-M02-BH* -XXX
08Pins					2A	30V	30V	24	0.25	M12-A08-ST0-M02-BH* -XXX
12Pins					1.5A	30V	30V	26	0.14	M12-A12-ST0-M02-BH* -XXX
17Pins					1.5A	30V	30V	26	0.14	M12-A17-ST0-M02-BH* -XXX