

WANJIE



慈溪市万捷电子有限公司

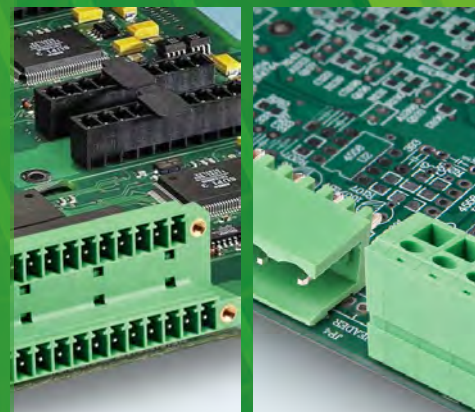
地址: 中国浙江省慈溪市逍林镇樟新南路219号
邮编: 315321
电话: +86-574-63510583 63510584 63516866
传真: +86-574-63510580 63519360
网址: <http://www.china-wj.com>
邮箱: cjw@china-wj.com

CIXI WANJIE ELECTRONIC CO., LTD.

Add.: #219, Zhangxin South Rd, Xiaolin Town, Cixi,
Zhejiang, China. P.C: 315321
Tel: +86-574-63510582 63510586
Fax: +86-574-63507658 63510580
Website: <http://www.china-wj.com>
E-mail: cjw@china-wj.com



UL US CE DVE CQC Ex CB RoHS ISO14001 OHSAS18001 ISO9001:2008 ISO80079-34



WANJIE 万捷电子

ELECTRONIC

VERSION 2019-2020



Terminal Block Manufacturer

接线端子专业制造商

企业简介 接线端子专业制造商

慈溪市万捷电子有限公司创建于1992年，坐落于浙江慈溪，是一家从事接线端子研发，设计，加工，生产，销售及服务一体化的专业制造商。产品包含螺钉式PCB接线端子，插拔式接线端子，弹簧PCB式接线端子，MCS多用途连接器，贯通式接线端子，栅栏式接线端子等系列，广泛应用与电力控制，自动化控制，电梯，仪器仪表，通讯，电源，安防，照明，轨道交通等相关领域。产品畅销于世界各地，并得到了客户的一致好评。

公司通过ISO9001、ISO14001、ISO80079-34、IATF16949、OHSAS18001体系认证，产品通过UL、CUL、VDE、EX、CQC、CE、CB、ROHS、REACH等相关认证。公司拥有优秀的管理，研发和品质团队，先进的加工生产设备和完善的品质检验系统，先进的检验设备及UL目击实验室，确保产品的品质达到相关标准要求，满足客户需求。

公司在研发标准品的同时可为客户提供ODM/OEM服务和客户建立长期紧密的合作关系，提供最优的解决方案。

精益求精，质量为先，服务第一，持续改善和使顾客满意是我们永远不变的宗旨。

BRIEF INTRODUCTION



CIXI WANJIE ELECTRONIC CO.,LTD was founded in 1992,we are a professional manufacturer that specializing in R&D,design,processing,production,sale and service of terminal blocks. The products include PCB screw and spring, pluggable, MCS, feed through and barrier terminal block, which are widely used in electric power control, automation control, elevator, instrumentation, communications, power supply, security, lighting, rail transportation and other related fields. The products are sold all over the world and have received the unanimous praise from customers.

WANJIE has passed ISO9001, ISO14001, ISO80079-34, IATF16949, OHSAS18001, the products are UL, CUL, VDE, EX, CQC, CE, CB, ROHS, REACH approved. Besides, with the excellent management, R&D and QC team, advanced testing equipment and production device, comprehensive quality inspection system and UL witness laboratory, we try our best to ensure the quality could reach the relevant standard as well as meet the requirement of customers.

WANJIE not only develop standard product but also provide ODM/OEM service, in order to establish a long-term cooperative relationship with customers and provide them the best solution.

Excellence, quality first, service-oriented, continuous improvement and customer satisfaction is our eternal purpose.





万捷电子诚邀国内外行业精英，设立研发中心，建立技术创新平台。基于此研发和技术创新平台，公司对市场做出更快速的反应、集成多方资源，为国内外客户提供最直接、最优质的技术支持等服务。

万捷电子将研发与市场的需求紧密结合，与最终用户共同合作，创造出具有国际竞争力的产品。

WANJIE Company invites many industry elites to set up R&D center, and establish the technological innovation platform, basing on the platform, we can make faster reaction on the market, and integrate all resources to provide the market, and integrate all resources to provide the most direct and best service for all of our customers.

WANJIE Company also make a closely integration between research and market, and cooperate with end customers, to create an international competitive products.



研发创新 R&D INNOVATION

接线端子专业制造商





螺钉式PCB接线端子 PCB SCREW TERMINAL BLOCK

订购方式/HOW TO ORDER:

 - **P** - -

颜色Color

0 未定义No definition	1 灰色Grey	4 绿色Green	7 透明Transp.
1 单倍间距Single pitch	2 蓝色Blue	5 橙色Orange	8 黄色Yellow
2 双倍间距Double pitch	3 黑色Black	6 红色Red	9 白色White

型号 Model 极数 Pole

P07-11



模组盒 INTERFACE MODULE

订购方式/HOW TO ORDER:

 - **P** - -

颜色Color

0 未定义No definition	1 灰色Grey	4 绿色Green	7 透明Transp.
1 单倍间距Single pitch	2 蓝色Blue	5 橙色Orange	8 黄色Yellow
2 双倍间距Double pitch	3 黑色Black	6 红色Red	9 白色White

型号 Model 极数 Pole

P40-41



插拔式接线端子 PLUG-IN TERMINAL BLOCK

订购方式/HOW TO ORDER:

 - **P** - -

颜色Color

0 未定义No definition	1 灰色Grey	4 绿色Green	7 透明Transp.
1 单倍间距Single pitch	2 蓝色Blue	5 橙色Orange	8 黄色Yellow
2 双倍间距Double pitch	3 黑色Black	6 红色Red	9 白色White

型号 Model 极数 Pole

P11-23



弹簧式PCB接线端子 PCB SPRING TERMINAL BLOCK

订购方式/HOW TO ORDER:

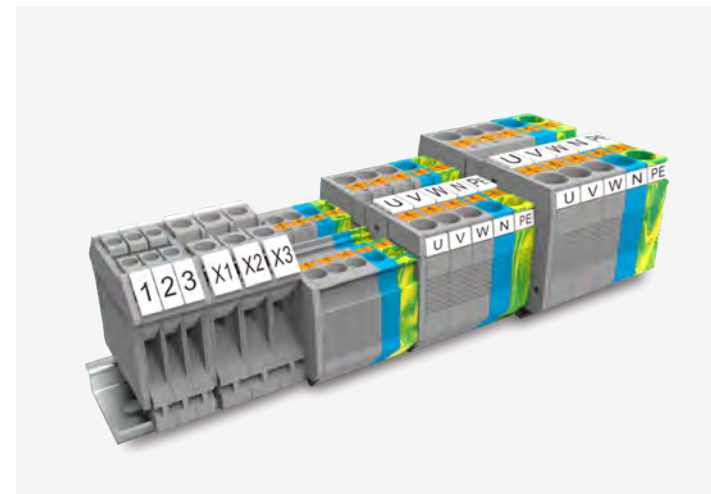
 - **P** - -

颜色Color

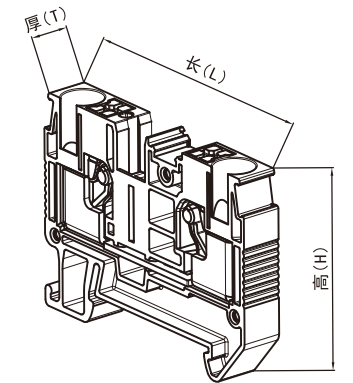
0 未定义No definition	1 灰色Grey	4 绿色Green	7 透明Transp.
1 单倍间距Single pitch	2 蓝色Blue	5 橙色Orange	8 黄色Yellow
2 双倍间距Double pitch	3 黑色Black	6 红色Red	9 白色White

型号 Model 极数 Pole

P24-27



规格示意图:



MCS多用途连接器 MCS TERMINAL BLOCK

订购方式/HOW TO ORDER:

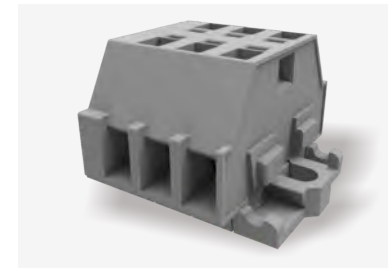
 -

颜色Color

0 未定义No definition	1 灰色Grey	4 绿色Green	7 透明Transp.
1 单倍间距Single pitch	2 蓝色Blue	5 橙色Orange	8 黄色Yellow
2 双倍间距Double pitch	3 黑色Black	6 红色Red	9 白色White

型号 Model 极数 Pole

P27-30



GWS回拉式接线端子 GWS SPRING-CAGE TERMINAL BLOCK

订购方式/HOW TO ORDER:

 - **P** - -

颜色Color

0 未定义No definition	1 灰色Grey	4 绿色Green	7 透明Transp.
1 单倍间距Single pitch	2 蓝色Blue	5 橙色Orange	8 黄色Yellow
2 双倍间距Double pitch	3 黑色Black	6 红色Red	9 白色White

型号 Model 极数 Pole

P41-42



贯通式接线端子 FEED THROUGH TERMINAL BLOCK

订购方式/HOW TO ORDER:

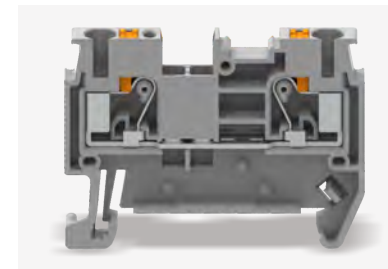
 - **P** - -

颜色Color

0 未定义No definition	1 灰色Grey	4 绿色Green	7 透明Transp.
1 单倍间距Single pitch	2 蓝色Blue	5 橙色Orange	8 黄色Yellow
2 双倍间距Double pitch	3 黑色Black	6 红色Red	9 白色White

型号 Model 极数 Pole

P31-32



GUV直插式接线端子 GUV PUSH-IN TERMINAL BLOCK

订购方式/HOW TO ORDER:

 -

颜色Color

GY 灰色Grey	GN 绿色Green	PE 黄绿色Yellow Green
BU 蓝色Blue	OG 橙色Orange	YE 黄色Yellow
BK 黑色Black	RD 红色Red	WH 白色White

型号 Model

P42-44



栅栏式接线端子 BARRIER TERMINAL BLOCK

订购方式/HOW TO ORDER:

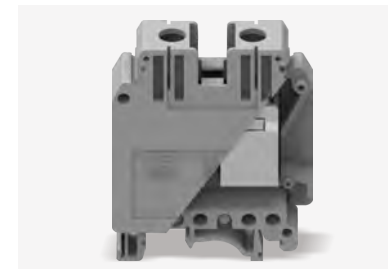
 - **P** - -

颜色Color

0 未定义No definition	1 灰色Grey	4 绿色Green	7 透明Transp.
1 单倍间距Single pitch	2 蓝色Blue	5 橙色Orange	8 黄色Yellow
2 双倍间距Double pitch	3 黑色Black	6 红色Red	9 白色White

型号 Model 极数 Pole

P33-40



GUK螺钉式接线端子 GUK SCREW TERMINAL BLOCK

订购方式/HOW TO ORDER:

 -

颜色Color

GY 灰色Grey	GN 绿色Green	PE 黄绿色Yellow Green
BU 蓝色Blue	OG 橙色Orange	YE 黄色Yellow
BK 黑色Black	RD 红色Red	WH 白色White

型号 Model

P44-46

型号 Part No.	WJ300-5.0	WJ300R-5.0	WJ305-5.0	WJ370-7.5	WJ375-7.5
产品 Product					
间距 Pitch	5.0mm	5.0mm	5.0mm	7.5mm	7.5mm
定额 Rated	250V/16A	250V/16A	250V/16A	250V/16A	250V/16A
极数 Poles	2P,3P	2P,3P	2P,3P	2P,3P	2P,3P
线径 Wire	22-14AWG 2.5mm ²	22-14AWG 2.5mm ²	22-14AWG 2.5mm ²	22-14AWG 2.5mm ²	22-14AWG 2.5mm ²

型号 Part No.	WJ301-5.0	WJ301R-5.0	WJ306-5.0	WJ331-5.0	WJ332K-5.0
产品 Product					
间距 Pitch	5.0mm	5.0mm	5.0mm	5.0mm	5.0mm
定额 Rated	250V/16A	250V/16A	250V/16A	300V/12A	300V/10A
极数 Poles	2P,3P	2P,3P	2P,3P	2P-24P	2P,3P
线径 Wire	22-14AWG 1.5mm ²	22-14AWG 1.5mm ²	22-14AWG 1.5mm ²	28-14AWG 1.5mm ²	28-16AWG 1.5mm ²

型号 Part No.	WJ333K-3.5	WJ335K-3.5	WJ332J-5.0	WJ333J-3.5	WJ350-3.5/WJ396-3.96
产品 Product					
间距 Pitch	3.5mm	3.5mm	5.0mm	3.5mm	3.5mm, 3.96mm
定额 Rated	300V/8A	300V/10A	300V/10A	300V/8A	300V/10A
极数 Poles	2P,3P	2P-24P	2P-24P	2P-24P	2P,3P
线径 Wire	28-16AWG 1.0mm ²	26-16AWG 1.5mm ²			24-18AWG 1.0mm ²

型号 Part No.	WJ350R-3.5/WJ396R-3.96	WJ126-5.0	WJ126R-5.0	WJ166-5.0	WJ166-7.5
产品 Product					
间距 Pitch	3.5mm, 3.96mm	5.0mm	5.0mm	5.0mm	7.5mm
定额 Rated	300V/10A	300V/8A	300V/8A	300V/15A	300V/15A
极数 Poles	2P,3P	2P,3P	2P,3P	2P-24P	2P-18P
线径 Wire	24-18AWG 1.0mm ²	26-14AWG 2.5mm ²	24-14AWG 2.5mm ²	26-14AWG 2.5mm ²	26-14AWG 2.5mm ²

型号 Part No.	WJ167-5.0	WJ167R-5.0	WJ103-5.0	WJ122-5.0	WJ125-5.0/5.08
产品 Product					
间距 Pitch	5.0mm	5.0mm	5.0mm	5.0mm	5.0mm, 5.08mm
定额 Rated	300V/15A	300V/15A	300V/16A	300V/10A	300V/16A
极数 Poles	2P-24P	2P-24P	2P,3P	2P-24P	2P,3P
线径 Wire	26-14AWG 2.5mm ²	26-14AWG 2.5mm ²	24-12AWG 2.5mm ²	24-14AWG 2.5mm ²	22-12AWG 2.5mm ²

型号 Part No.	WJ125R-5.0/5.08	WJ127-5.0/5.08	WJ127R-5.0/5.08	WJ128-5.0/5.08	WJ128-7.5/7.62
产品 Product					
间距 Pitch	5.0mm, 5.08mm	5.0mm, 5.08mm	5.0mm, 5.08mm	5.0mm, 5.08mm	7.5mm, 7.62mm
定额 Rated	300V/16A	300V/12A	300V/12A	300V/16A	300V/16A
极数 Poles	2P,3P	2P,3P	2P,3P	2P,3P	2P,3P
线径 Wire	22-12AWG 2.5mm ²	26-14AWG 1.5mm ²	26-14AWG 1.5mm ²	22-12AWG 2.5mm ²	22-12AWG 2.5mm ²

型号 Part No.	WJ128R-5.0/5.08	WJ128R-7.5/7.62	WJ128E-5.0	WJ128E-7.5	WJ129-5.0/5.08
产品 Product					
间距 Pitch	5.0mm, 5.08mm	7.5mm, 7.62mm	5.0mm	7.5mm	5.0mm, 5.08mm
定额 Rated	300V/16A	300V/16A	300V/16A	300V/16A	300V/20A
极数 Poles	2P,3P	2P,3P	2P,3P	2P,3P	2P,3P
线径 Wire	22-12AWG 2.5mm ²	22-12AWG 2.5mm ²	22-12AWG 2.5mm ²	22-12AWG 2.5mm ²	26-12AWG 2.5mm ²

型号 Part No.	WJ129-7.5/7.62	WJ129R-5.0/5.08	WJ129R-7.5/7.62	WJ130-5.0/5.08	WJ130-7.5/7.62
产品 Product					
间距 Pitch	7.5mm, 7.62mm	5.0mm, 5.08mm	7.5mm, 7.62mm	5.0mm, 5.08mm	7.5mm, 7.62mm
定额 Rated	300V/20A	300V/20A	300V/20A	300V/20A	300V/20A
极数 Poles	2P,3P	2P,3P	2P,3P	2P,3P	2P,3P
线径 Wire	26-12AWG 2.5mm ²	26-12AWG 2.5mm ²	26-12AWG 2.5mm ²	26-12AWG 2.5mm ²	26-12AWG 2.5mm ²

型号 Part No.	WJ130T2-5.0/5.08	WJ130T2A-5.0/5.08	WJ130T2B-5.0/5.08	WJ130T3A-5.0/5.08	WJ131-5.08
产品 Product					NEW
间距 Pitch	5.0mm,5.08mm	5.0mm,5.08mm	5.0mm,5.08mm	5.0mm,5.08mm	5.08mm
定额 Rated	300V/20A	300V/20A	300V/20A	300V/20A	300V/20A
极数 Poles	2×2P,2×3P	2×2P,2×3P	2×2P,2×3P	3×2P,3×3P	2P,3P
线径 Wire	26-12AWG 2.5mm ²	26-12AWG 2.5mm ²	26-12AWG 2.5mm ²	26-12AWG 2.5mm ²	30-12AWG 2.5mm ²

型号 Part No.	WJ635-6.35	WJ635VK-6.35	WJ636-6.35	WJ750-7.5	WJ762-7.62
产品 Product					
间距 Pitch	6.35mm	6.35mm	6.35mm	7.5mm	7.62mm
定额 Rated	300V/30A	600V/30A	300V/30A	300V/30A	300V/30A
极数 Poles	2P,3P	2P-18P	2P,3P	2P,3P	2P,3P
线径 Wire	26-10AWG 4.0mm ²	24-10AWG 6.0mm ²	26-10AWG 4.0mm ²	26-10AWG 4.0mm ²	26-10AWG 4.0mm ²

型号 Part No.	WJ950-9.5	WJ116V-10.16	WJ116VW-10.16	WJ116VK-10.16	WJ116VK-12.7
产品 Product					
间距 Pitch	9.5mm	10.16mm	10.16mm	10.16mm	12.7mm
定额 Rated	300V/30A	300V/52A	600V/65A	600V/65A	600V/65A
极数 Poles	2P,3P	2P,3P	2P,3P	1P-14P	1P-14P
线径 Wire	26-10AWG 4.0mm ²	20-6AWG 10.0mm ²	20-6AWG 16.0mm ²	20-6AWG 16.0mm ²	20-6AWG 16.0mm ²

型号 Part No.	WJ117-12.7	WJ118-15.0	WJ118M-15.0	WJ118ML-15.0	WJ330-5.0
产品 Product					
间距 Pitch	12.7mm	15.0mm	15.0mm	15.0mm	5.0mm
定额 Rated	600V/65A	600V/115A	600V/115A	600V/115A	300V/15A
极数 Poles	2P,3P	1P-12P	2P-10P	1P	2P,3P
线径 Wire	20-6AWG 16.0mm ²	20-2AWG 35mm ²	20-2AWG 35mm ²	20-2AWG 35mm ²	28-14AWG 2.5mm ²

型号 Part No.	WJ410-10.0	WJ1010-10.0	XD350-3.5/XD381-3.81	XD508-5.08	WJA500-5.0
产品 Product					
间距 Pitch	10.0mm	10.0mm	3.5mm,3.81mm	5.08mm	5.0mm
定额 Rated	300V/20A	300/30A	300/10A	300V/12A	300V/12A
极数 Poles	1P-24P	1P-24P	2P-24P	2P-24P	2×2P,2×3P
线径 Wire	26-12AWG 2.5mm ²	26-10AWG 6.0mm ²	26-16AWG 1.5mm ²	26-14AWG 1.5mm ²	26-14AWG 1.5mm ²

型号 Part No.	WJA508-5.08	WJEK254-2.54	WJEK350/WJEK381	WJEEK350/WJEEK381	WJEK350A/WJEK381A
产品 Product					
间距 Pitch	5.08mm	2.54mm	3.5mm,3.81mm	3.5mm,3.81mm	3.5mm,3.81mm
定额 Rated	300V/12A	150V/7A	300V/10A	300V/10A	300V/10A
极数 Poles	2×2P,2×3P	2P-24P	2P,3P	2P,3P	2×2P,2×3P
线径 Wire	26-14AWG 1.5mm ²	26-18AWG 1.0mm ²	30-16AWG 1.0mm ²	30-16AWG 1.0mm ²	30-16AWG 1.0mm ²

型号 Part No.	WJEK350B/WJEK381B	WJEK500/WJEK508	WJEEK500/WJEEK508	WJE3K500/WJE3K508	WJEK500A/WJEK508A
产品 Product					
间距 Pitch	3.5mm,3.81mm	5.0mm,5.08mm	5.0mm,5.08mm	5.0mm,5.08mm	5.0mm,5.08mm
定额 Rated	300V/10A	300V/15A	300V/15A	300V/15A	300V/15A
极数 Poles	2×2P,2×3P	2P,3P	2P,3P	2P,3P	2×2P,2×3P
线径 Wire	30-16AWG 1.0mm ²	30-14AWG 2.5mm ²	30-14AWG 2.5mm ²	30-14AWG 2.5mm ²	30-14AWG 2.5mm ²

型号 Part No.	WJEK500B/WJEK508B	WJE2K500A/WJE2K508A	WJE2K500B/WJE2K508B	WJE3K500A/WJE3K508A	WJE3K500B/WJE3K508B
产品 Product					
间距 Pitch	5.0mm,5.08mm	5.0mm,5.08mm	5.0mm,5.08mm	5.0mm,5.08mm	5.0mm,5.08mm
定额 Rated	300V/15A	300V/15A	300V/15A	300V/15A	300V/15A
极数 Poles	2×2P,2×3P	2×2P,2×3P	2×2P,2×3P	3×2P,3×3P	3×2P,3×3P
线径 Wire	30-14AWG 2.5mm ²	30-14AWG 2.5mm ²	30-14AWG 2.5mm ²	30-14AWG 2.5mm ²	30-14AWG 2.5mm ²

型号 Part No.	WJ105R-5.0	WJ105V-5.0	WJ105RA-5.0	WJ105VA-5.0	WJ105R-7.5
产品 Product					
间距 Pitch	5.0mm	5.0mm	5.0mm	5.0mm	7.5mm
定额 Rated	300V/20A	300V/20A	300V/20A	300V/20A	300V/20A
极数 Poles	1P-30P	1P-30P	1P-30P	1P-30P	1P-30P
线径 Wire	26-12AWG 2.5mm ²	26-12AWG 2.5mm ²	26-12AWG 2.5mm ²	26-12AWG 2.5mm ²	26-12AWG 2.5mm ²

型号 Part No.	WJ105V-7.5	WJ105RA-7.5	WJ105VA-7.5	WJDS4-7.5	
产品 Product					
间距 Pitch	7.5mm	7.5mm	7.5mm	7.5mm	
定额 Rated	300V/20A	300V/20A	300V/20A	300V/30A	
极数 Poles	1P-30P	1P-30P	1P-30P	1P-24P	
线径 Wire	26-12AWG 2.5mm ²	26-12AWG 2.5mm ²	26-12AWG 2.5mm ²	24-10AWG 4.0mm ²	

型号 Part No.	WJ15EDGKD-2.5	WJ15EDGVC-2.5/2.54	WJ15EDGRC-2.5/2.54	WJ15EDGVH-2.5	WJ15EDGRH-2.5
产品 Product					
间距 Pitch	2.5mm	2.5mm,2.54mm	2.5mm,2.54mm	2.5mm	2.5mm
定额 Rated	150V/5A	150V/5A	150V/5A	150V/5A	150V/5A
极数 Poles	2P-24P	2P-24P	2P-24P	2×(2P-24P)	2×(2P-24P)
线径 Wire	26-20AWG 0.5mm ²				

型号 Part No.	WJ15EDGKN-3.5/3.81	WJ15EDGKNG-3.5/3.81	WJ15EDGKNM-3.5/3.81	WJ15EDGKN-B-3.5	WJ15EDGKNM-B-3.5
产品 Product					
间距 Pitch	3.5mm,3.81mm	3.5mm,3.81mm	3.5mm,3.81mm	3.5mm	3.5mm
定额 Rated	300V/8A	300V/8A	300V/8A	300V/8A	300V/8A
极数 Poles	2P-24P	2P-24P	2P-24P	2×(2P-24P)	2×(2P-24P)
线径 Wire	24-16AWG 1.5mm ²	24-16AWG 1.5mm ²	24-16AWG 1.5mm ²	24-16AWG 1.5mm ²	24-16AWG 1.5mm ²

型号 Part No.	WJ15EDGKNG-B-3.5	WJ15EDGKNH-3.5	WJ15EDGKNHM-3.5	WJ15EDGKNHG-3.5	WJ15EDGKSH-3.5
产品 Product					
间距 Pitch	3.5mm	3.5mm	3.5mm	3.5mm	3.5mm
定额 Rated	300V/8A	300V/8A	300V/8A	300V/8A	150V/7A
极数 Poles	2×(2P-24P)	2×(2P-24P)	2×(2P-24P)	2×(2P-24P)	2×(2P-24P)
线径 Wire	24-16AWG 1.5mm ²	24-16AWG 1.5mm ²	24-16AWG 1.5mm ²	24-16AWG 1.5mm ²	28-18AWG 1.0mm ²

型号 Part No.	WJ15EDGKSHM-3.5	WJ15EDGKSHG-3.5	WJ15EDGVC-THR-3.5/3.81	WJ15EDGRC-THR-3.5/3.81	WJ15EDGVM-THR-3.5/3.81
产品 Product					
间距 Pitch	3.5mm	3.5mm	3.5mm,3.81mm	3.5mm,3.81mm	3.5mm,3.81mm
定额 Rated	150V/7A	150V/7A	300V/8A	300V/8A	300V/8A
极数 Poles	2×(2P-24P)	2×(2P-24P)	2P-24P	2P-24P	2P-24P
线径 Wire	28-18AWG 1.0mm ²	28-18AWG 1.0mm ²			

型号 Part No.	WJ15EDGRM-THR-3.5/3.81	WJ15EDGVHB-THT-3.5/3.81	WJ15EDGRHB-THT-3.5/3.81	WJ15EDGVHBM-THT-3.5/3.81	WJ15EDGRHBM-THT-3.5/3.81
产品 Product					
间距 Pitch	3.5mm,3.81mm	3.5mm,3.81mm	3.5mm,3.81mm	3.5mm,3.81mm	3.5mm,3.81mm
定额 Rated	300V/8A	300V/8A	300V/8A	300V/8A	300V/8A
极数 Poles	2P-24P	2×(2P-24P)	2×(2P-24P)	2×(2P-24P)	2×(2P-24P)
线径 Wire					

型号 Part No.	WJ15EDGVHBN-THT-3.5/3.81	WJ15EDGRHBN-THT-3.5/3.81	WJ15EDGVHC-THR-3.5	WJ15EDGVHBM-THR-3.5	WJ15EDGRHC-THR-3.5
产品 Product					
间距 Pitch	3.5mm,3.81mm	3.5mm,3.81mm	3.5mm	3.5mm	3.5mm
定额 Rated	300V/8A	300V/8A	300V/8A	300V/8A	150V/8A
极数 Poles	2×(2P-24P)	2×(2P-24P)	2×(2P-24P)	2×(2P-24P)	2×(2P-24P)
线径 Wire					

型号 Part No.	WJ15EDGRHCM-THR-3.5	WJ15EDGVHS-3.5	WJ15EDGVHSC-3.5	WJ15EDGVHSM-3.5	WJ15EDGRHS-3.5
产品 Product					
间距 Pitch	3.5mm	3.5mm	3.5mm	3.5mm	3.5mm
定额 Rated	150V/8A	150V/7A	150V/7A	150V/7A	150V/7A
极数 Poles	2 × (2P-24P)	2 × (2P-24P)	2 × (2P-24P)	2 × (2P-24P)	2 × (2P-24P)
线径 Wire					

型号 Part No.	WJ15EDGA-3.5/3.81	WJ15EDGAM-3.5/3.81	WJ15EDGBG-3.5	WJ15EDGAG-3.5	WJ15EDGKR-3.81
产品 Product					
间距 Pitch	3.5mm, 3.81mm	3.5mm, 3.81mm	3.5mm	3.5mm	3.81mm
定额 Rated	300V/8A	300V/8A	300V/8A	300V/8A	300V/8A
极数 Poles	2P-24P	2P-24P	2P-24P	2P-24P	2P-24P
线径 Wire					28-16AWG 1.5mm ²

型号 Part No.	WJ15EDGRHSC-3.5	WJ15EDGRHSM-3.5	WJ15EDGK-2.54	WJ15EDGK-3.5/3.81	WJ15EDGKM-3.5/3.81
产品 Product					
间距 Pitch	3.5mm	3.5mm	2.54mm	3.5mm, 3.81mm	3.5mm, 3.81mm
定额 Rated	150V/7A	150V/7A	150V/5A	300V/8A	300V/8A
极数 Poles	2 × (2P-24P)	2 × (2P-24P)	2P-24P	2P-24P	2P-24P
线径 Wire			26-20AWG 0.5mm ²	28-16AWG 1.5mm ²	28-16AWG 1.5mm ²

型号 Part No.	WJ15EDGKRM-3.81	WJ15EDGKRN-3.81	WJ15EDGKNR-3.5	WJ15EDGKNRT-3.5	WJ15EDGKNRG-3.5
产品 Product					
间距 Pitch	3.81mm	3.81mm	3.5mm	3.5mm	3.5mm
定额 Rated	300V/8A	300V/8A	300V/8A	300V/8A	300V/8A
极数 Poles	2P-24P	2P-24P	2P-24P	2P-24P	2P-24P
线径 Wire	28-16AWG 1.5mm ²	28-16AWG 1.5mm ²	24-16AWG 1.5mm ²	24-16AWG 1.5mm ²	24-16AWG 1.5mm ²

型号 Part No.	WJ15EDGKA-3.5/3.81	WJ15EDGKAM-3.5/3.81	WJ15EDGKB-3.5/3.81	WJ15EDGKBM-3.5/3.81	WJ15EDGKC-3.81
产品 Product					
间距 Pitch	3.5mm, 3.81mm	3.5mm, 3.81mm	3.5mm, 3.81mm	3.5mm, 3.81mm	3.81mm
定额 Rated	300V/8A	300V/8A	300V/8A	300V/8A	300V/8A
极数 Poles	2P-24P	2P-24P	2P-24P	2P-24P	2P-24P
线径 Wire	28-16AWG 1.5mm ²	28-16AWG 1.5mm ²	28-16AWG 1.5mm ²	28-16AWG 1.5mm ²	28-16AWG 1.5mm ²

型号 Part No.	WJ15EDGGB-3.81	WJ15EDGGBM-3.81	WJ15EDGVC-3.5/3.81	WJ15EDGRC-3.5/3.81	WJ15EDGVM-3.5/3.81
产品 Product					
间距 Pitch	3.81mm	3.81mm	3.5mm, 3.81mm	3.5mm, 3.81mm	3.5mm, 3.81mm
定额 Rated	300V/8A	300V/8A	300V/8A	300V/8A	300V/8A
极数 Poles	2P-24P	2P-24P	2P-24P	2P-24P	2P-24P
线径 Wire	28-16AWG 1.5mm ²	28-16AWG 1.5mm ²			

型号 Part No.	WJ15EDGKCM-3.81	WJ15EDGKD-3.5/3.81	WJ15EDGKDM-3.5/3.81	WJ15EDGB-3.5/3.81	WJ15EDGBM-3.5/3.81
产品 Product					
间距 Pitch	3.81mm	3.5mm, 3.81mm	3.5mm, 3.81mm	3.5mm, 3.81mm	3.5mm, 3.81mm
定额 Rated	300V/8A	300V/8A	300V/8A	300V/8A	300V/8A
极数 Poles	2P-24P	2P-24P	2P-24P	2P-24P	2P-24P
线径 Wire	28-16AWG 1.5mm ²	28-16AWG 1.5mm ²	28-16AWG 1.5mm ²		

型号 Part No.	WJ15EDGRM-3.5/3.81	WJ15EDGLC-3.5/3.81	WJ15EDGLM-3.5/3.81	WJ15CDGM-3.81	WJ15EDGVF-3.81
产品 Product					
间距 Pitch	3.5mm, 3.81mm	3.5mm, 3.81mm	3.5mm, 3.81mm	3.81mm	3.81mm
定额 Rated	300V/8A	300V/8A	300V/8A	300V/8A	300V/8A
极数 Poles	2P-24P	2P-24P	2P-24P	2P-24P	2P-4P
线径 Wire					

型号 Part No.	WJ15EDGK-5.08	WJ15EDGKM-5.08	WJ15EDGVC-5.08	WJ15EDGRC-5.08	WJ15EDGVM-5.08
产品 Product					
间距 Pitch	5.08mm	5.08mm	5.08mm	5.08mm	5.08mm
定额 Rated	300V/8A	300V/8A	300V/8A	300V/8A	300V/8A
极数 Poles	2P-24P	2P-24P	2P-24P	2P-24P	2P-24P
线径 Wire	28-16AWG 1.5mm ²	28-16AWG 1.5mm ²			

型号 Part No.	WJ15EDGRM-5.08	WJ15EDGVT-3.5/3.81	WJ15EDGVTM-3.5/3.81	WJ15EDGRT-3.5/3.81	WJ15EDGRTM-3.5/3.81
产品 Product					
间距 Pitch	5.08mm	3.5mm, 3.81mm	3.5mm, 3.81mm	3.5mm, 3.81mm	3.5mm, 3.81mm
定额 Rated	300V/8A	300V/8A	300V/8A	300V/8A	300V/8A
极数 Poles	2P-24P	2×(2P-24P)	2×(2P-24P)	2×(2P-24P)	2×(2P-24P)
线径 Wire					

型号 Part No.	WJ15EDGVH-3.5/3.81	WJ15EDGVHM-3.5/3.81	WJ15EDGRH-3.5/3.81	WJ15EDGRHM-3.5/3.81	WJ2EDGK-5.0/5.08
产品 Product					
间距 Pitch	3.5mm, 3.81mm	3.5mm, 3.81mm	3.5mm, 3.81mm	3.5mm, 3.81mm	5.0mm, 5.08mm
定额 Rated	300V/8A	300V/8A	300V/8A	300V/8A	300V/15A
极数 Poles	2×(2P-24P)	2×(2P-24P)	2×(2P-24P)	2×(2P-24P)	2P-24P
线径 Wire					28-12AWG 2.5mm ²

型号 Part No.	WJ2EDGK-7.5/7.62	WJ2EDGK-10.0/10.16	WJ2EDGKM-5.0/5.08	WJ2EDGKM-7.5/7.62	WJ2EDGKM-10.0/10.16
产品 Product					
间距 Pitch	7.50mm, 7.62mm	10.0mm, 10.16mm	5.0mm, 5.08mm	7.5mm, 7.62mm	10.0mm, 10.16mm
定额 Rated	300V/15A	600V/15A	300V/15A	300V/15A	600V/15A
极数 Poles	2P-24P	2P-12P	2P-24P	2P-24P	2P-12P
线径 Wire	28-12AWG 2.5mm ²	28-12AWG 2.5mm ²	28-12AWG 2.5mm ²	28-12AWG 2.5mm ²	28-12AWG 2.5mm ²

型号 Part No.	WJ2EDGKH-5.08	WJ2EDGKHM-5.08	WJ2EDGKA-5.0/5.08	WJ2EDGKA-7.5/7.62	WJ2EDGKAM-5.0/5.08
产品 Product					
间距 Pitch	5.08mm	5.08mm	5.0mm, 5.08mm	7.5mm, 7.62mm	5.0mm, 5.08mm
定额 Rated	300V/15A	300V/15A	300V/15A	300V/15A	300V/15A
极数 Poles	2P-24P	2P-24P	2P-24P	2P-24P	2P-24P
线径 Wire	28-12AWG 2.5mm ²	28-12AWG 2.5mm ²	28-12AWG 2.5mm ²	28-12AWG 2.5mm ²	28-12AWG 2.5mm ²

型号 Part No.	WJ2EDGKAM-7.5/7.62	WJ2EDGKB-5.0/5.08	WJ2EDGKB-7.5/7.62	WJ2EDGKBM-5.0/5.08	WJ2EDGKBM-7.5/7.62
产品 Product					
间距 Pitch	7.5mm, 7.62mm	5.0mm, 5.08mm	7.5mm, 7.62mm	5.0mm, 5.08mm	7.5mm, 7.62mm
定额 Rated	300V/15A	300V/15A	300V/15A	300V/15A	300V/15A
极数 Poles	2P-24P	2P-24P	2P-24P	2P-24P	2P-24P
线径 Wire	28-12AWG 2.5mm ²	28-12AWG 2.5mm ²	28-12AWG 2.5mm ²	28-12AWG 2.5mm ²	28-12AWG 2.5mm ²

型号 Part No.	WJ2EDGKAH-5.08	WJ2EDGKAHM-5.08	WJ2EDGKC-5.0/5.08	WJ2EDGKCM-5.0/5.08	WJ2EDGKD-5.0/5.08
产品 Product					
间距 Pitch	5.08mm	5.08mm	5.0mm, 5.08mm	5.0mm, 5.08mm	5.0mm, 5.08mm
定额 Rated	300V/15A	300V/15A	300V/15A	300V/15A	300V/10A
极数 Poles	2P-24P	2P-24P	2P-24P	2P-24P	2P-24P
线径 Wire	28-12AWG 2.5mm ²	28-12AWG 2.5mm ²	28-12AWG 2.5mm ²	28-12AWG 2.5mm ²	28-12AWG 2.5mm ²

型号 Part No.	WJ2EDGKDM-5.0/5.08	WJ2EDGKDG-5.0/5.08	WJ2EDGKD-7.5/7.62	WJ2EDGKDM-7.5/7.62	WJ2EDGKDG-7.5/7.62
产品 Product					
间距 Pitch	5.0mm, 5.08mm	5.0mm, 5.08mm	7.5mm, 7.62mm	7.5mm, 7.62mm	7.5mm, 7.62mm
定额 Rated	300V/10A	300V/10A	300V/10A	300V/10A	300V/10A
极数 Poles	2P-24P	2P-24P	2P-16P	2P-16P	2P-16P
线径 Wire	28-12AWG 2.5mm ²	28-12AWG 2.5mm ²	28-12AWG 2.5mm ²	28-12AWG 2.5mm ²	28-12AWG 2.5mm ²

型号 Part No.	WJ2EDGKDA-5.0/5.08	WJ2EDGKDAM-5.0/5.08	WJ2EDGKDB-5.0/5.08	WJ2EDGKDBM-5.0/5.08	WJ2EDGKDH-5.08
产品 Product					
间距 Pitch	5.0mm,5.08mm	5.0mm,5.08mm	5.0mm,5.08mm	5.0mm,5.08mm	5.08mm
定额 Rated	300V/10A	300V/10A	300V/10A	300V/10A	300V/10A
极数 Poles	2P-24P	2P-24P	2P-24P	2P-24P	2P-24P
线径 Wire	28-12AWG 2.5mm ²	28-12AWG 2.5mm ²	28-12AWG 2.5mm ²	28-12AWG 2.5mm ²	28-12AWG 2.5mm ²

型号 Part No.	WJ2EDGKDHM-5.08	WJ2EDGKDHG-5.08	WJ2EDGKDF-5.0	WJ2EDGKDFM-5.0	WJ2EDGKDFG-5.0
产品 Product					
间距 Pitch	5.08mm	5.08mm	5.0mm	5.0mm	5.0mm
定额 Rated	300V/10A	300V/10A	300V/10A	300V/10A	300V/10A
极数 Poles	2P-24P	2P-24P	2P-24P	2P-24P	2P-24P
线径 Wire	28-12AWG 2.5mm ²	28-12AWG 2.5mm ²	26-12AWG 2.5mm ²	26-12AWG 2.5mm ²	26-12AWG 2.5mm ²

型号 Part No.	WJ2EDGKF-5.0/5.08	WJ2EDGKZ-5.0/5.08	WJ2EDGKZM-5.0/5.08	WJ2EDGKL-5.08	WJ2EDGKLM-5.08
产品 Product					
间距 Pitch	5.0mm,5.08mm	5.0mm,5.08mm	5.0mm,5.08mm	5.08mm	5.08mm
定额 Rated	300V/15A	300V/15A	300V/15A	300V/15A	300V/15A
极数 Poles	2P-24P	2P-24P	2P-24P	2P-24P	2P-20P
线径 Wire	28-12AWG 2.5mm ²	28-12AWG 2.5mm ²	28-12AWG 2.5mm ²	28-12AWG 2.5mm ²	28-12AWG 2.5mm ²

型号 Part No.	WJ2EDGKN-5.0	WJ2EDGKNM-5.0	WJ2EDGKNG-5.0	WJ2EDGB-5.0/5.08	WJ2EDGBM-5.0/5.08
产品 Product					
间距 Pitch	5.0mm	5.0mm	5.0mm	5.0mm,5.08mm	5.0mm,5.08mm
定额 Rated	300V/12A	300V/12A	300V/12A	300V/15A	300V/15A
极数 Poles	2P-24P	2P-24P	2P-24P	2P-24P	2P-24P
线径 Wire	24-16AWG 2.5mm ²	24-16AWG 2.5mm ²	24-16AWG 2.5mm ²		

型号 Part No.	WJ2EDGA-5.0/5.08	WJ2EDGAM-5.0/5.08	WJ2EDGB-7.62	WJ2EDGBM-7.62	WJ2EDGA-7.62
产品 Product					
间距 Pitch	5.0mm,5.08mm	5.0mm,5.08mm	7.62mm	7.62mm	7.62mm
定额 Rated	300V/15A	300V/15A	300V/15A	300V/15A	300V/15A
极数 Poles	2P-24P	2P-24P	2P-16P	2P-16P	2P-16P
线径 Wire					

型号 Part No.	WJ2EDGAM-7.62	WJ2EDGV-5.0/5.08	WJ2EDGV-7.5/7.62	WJ2EDGV-10.0/10.16	WJ2EDGR-5.0/5.08
产品 Product					
间距 Pitch	7.62mm	5.0mm,5.08mm	7.5mm,7.62mm	10.0mm,10.16mm	5.0mm,5.08mm
定额 Rated	300V/15A	300V/15A	300V/15A	600V/15A	300V/15A
极数 Poles	2P-16P	2P-24P	2P-24P	2P-12P	2P-24P
线径 Wire					

型号 Part No.	WJ2EDGR-7.5/7.62	WJ2EDGR-10.0/10.16	WJ2EDGVC-5.0/5.08	WJ2EDGVC-7.5/7.62	WJ2EDGVC-10.0/10.16
产品 Product					
间距 Pitch	7.5mm,7.62mm	10.0mm,10.16mm	5.0mm,5.08mm	7.5mm,7.62mm	10.0mm,10.16mm
定额 Rated	300V/15A	600V/15A	300V/15A	300V/15A	600V/15A
极数 Poles	2P-24P	2P-12P	2P-24P	2P-24P	2P-12P
线径 Wire					

型号 Part No.	WJ2EDGRC-5.0/5.08	WJ2EDGRC-7.5/7.62	WJ2EDGRC-10.0/10.16	WJ2EDGVM-5.0/5.08	WJ2EDGVM-7.5/7.62
产品 Product					
间距 Pitch	5.0mm,5.08mm	7.5mm,7.62mm	10.0mm,10.16mm	5.0mm,5.08mm	7.5mm,7.62mm
定额 Rated	300V/15A	300V/15A	600V/15A	300V/15A	300V/15A
极数 Poles	2P-24P	2P-24P	2P-12P	2P-24P	2P-24P
线径 Wire					

型号 Part No.	WJ2EDGVM-10.0/10.16	WJ2EDGRM-5.0/5.08	WJ2EDGRM-7.5/7.62	WJ2EDGRM-10.0/10.16	WJ2EDGRR-5.0/5.08
产品 Product					
间距 Pitch	10.0mm,10.16mm	5.0mm,5.08mm	7.5mm,7.62mm	10.0mm,10.16mm	5.0mm,5.08mm
定额 Rated	600V/15A	300V/15A	300V/15A	600V/15A	300V/15A
极数 Poles	2P-12P	2P-24P	2P-24P	2P-12P	2P-24P
线径 Wire					

型号 Part No.	WJ2EDGRRC-5.0/5.08	WJ2EDGRRM-5.0/5.08	WJ2EDGVG-5.08	WJ2EDGRG-5.08	WJ2EDGV-THT-5.08
产品 Product					
间距 Pitch	5.0mm,5.08mm	5.0mm,5.08mm	5.08mm	5.08mm	5.08mm
定额 Rated	300V/15A	300V/15A	300V/15A	300V/15A	300V/15A
极数 Poles	2P-24P	2P-24P	2P-24P	2P-24P	2P-24P
线径 Wire					

型号 Part No.	WJ2EDGVC-THT-5.08	WJ2EDGVM-THT-5.08	WJ2EDGR-THT-5.08	WJ2EDGRC-THT-5.08	WJ2EDGRM-THT-5.08
产品 Product					
间距 Pitch	5.08mm	5.08mm	5.08mm	5.08mm	5.08mm
定额 Rated	300V/15A	300V/15A	300V/15A	300V/15A	300V/15A
极数 Poles	2P-24P	2P-24P	2P-24P	2P-24P	2P-24P
线径 Wire					

型号 Part No.	WJ2EDGLF-5.0	WJ2EDGRF-5.0	WJ2EDGVT-5.0/5.08	WJ2EDGVTM-5.0/5.08	WJ2EDGRT-5.0/5.08
产品 Product					
间距 Pitch	5.0mm	5.0mm	5.0mm,5.08mm	5.0mm,5.08mm	5.0mm,5.08mm
定额 Rated	300V/15A	300V/15A	300V/15A	300V/15A	300V/15A
极数 Poles	2P-4P	2P-4P	2×(2P-24P)	2×(2P-24P)	2×(2P-24P)
线径 Wire					

型号 Part No.	WJ2EDGRTM-5.0/5.08	WJ2EDGVTC-5.0/5.08	WJ2EDGRTC-5.0/5.08	WJ2EDGVH-5.0/5.08	WJ2EDGVHM-5.0/5.08
产品 Product					
间距 Pitch	5.0mm,5.08mm	5.0mm,5.08mm	5.0mm,5.08mm	5.0mm,5.08mm	5.0mm,5.08mm
定额 Rated	300V/15A	300V/15A	300V/15A	300V/15A	300V/15A
极数 Poles	2×(2P-24P)	2×(2P-24P)	2×(2P-24P)	2×(2P-24P)	2×(2P-24P)
线径 Wire					

型号 Part No.	WJ2EDGRH-5.0/5.08	WJ2EDGRHM-5.0/5.08	WJ2EDGRHB-THR-5.0	WJ2EDGRHBM-THR-5.0	WJ2EDGRHBN-THR-5.0
产品 Product					
间距 Pitch	5.0mm,5.08mm	5.0mm,5.08mm	5.0mm	5.0mm	5.0mm
定额 Rated	300V/15A	300V/15A	300V/15A	300V/15A	300V/15A
极数 Poles	2×(2P-24P)	2×(2P-24P)	2×(2P-24P)	2×(2P-24P)	2×(2P-24P)
线径 Wire					

型号 Part No.	WJ2EDGVHB-THR-5.0	WJ2EDGVHBM-THR-5.0	WJ2EDGVHBN-THR-5.0	WJ2EDGL-5.0/5.08	WJ2EDGLC-5.0/5.08
产品 Product					
间距 Pitch	5.0mm	5.0mm	5.0mm	5.0mm,5.08mm	5.0mm,5.08mm
定额 Rated	300V/15A	300V/15A	300V/15A	300V/15A	300V/15A
极数 Poles	2×(2P-24P)	2×(2P-24P)	2×(2P-24P)	2P-24P	2P-24P
线径 Wire					

型号 Part No.	WJ2EDGLM-5.0/5.08	WJ2EDGKR-5.08	WJ2EDGKRM-5.08	WJ2EDGKRN-5.08	WJ2EDGKR-7.62
产品 Product					
间距 Pitch	5.0mm,5.08mm	5.08mm	5.08mm	5.08mm	7.62mm
定额 Rated	300V/15A	300V/15A	300V/15A	300V/15A	300V/15A
极数 Poles	2P-24P	2P-24P	2P-24P	2P-24P	2P-24P
线径 Wire		28-12AWG 2.5mm ²	28-12AWG 2.5mm ²	28-12AWG 2.5mm ²	28-12AWG 2.5mm ²

型号 Part No.	WJ2EDGKRM-7.62	WJ2EDGKRN-7.62	WJ2EDGKDR-5.0/5.08	WJ2EDGKDRM-5.0/5.08	WJ2EDGKDRN-5.0/5.08
产品 Product					
间距 Pitch	7.62mm	7.62mm	5.0mm,5.08mm	5.0mm,5.08mm	5.0mm,5.08mm
定额 Rated	300V/15A	300V/15A	300V/10A	300V/10A	300V/10A
极数 Poles	2P-24P	2P-24P	2P-24P	2P-24P	2P-24P
线径 Wire	28-12AWG 2.5mm ²	28-12AWG 2.5mm ²	28-12AWG 2.5mm ²	28-12AWG 2.5mm ²	28-12AWG 2.5mm ²

型号 Part No.	WJ2EDGKDRG-5.0/5.08	WJ2EDGKRZ-5.08	WJ2EDGGB-5.08	WJ2EDGGBM-5.08	WJ2EDGVK-5.08
产品 Product					
间距 Pitch	5.0mm,5.08mm	5.08mm	5.08mm	5.08mm	5.08mm
定额 Rated	300V/10A	300V/15A	300V/15A	300V/15A	300V/15A
极数 Poles	2P-24P	2P-24P	2P-24P	2P-24P	6P-24P
线径 Wire	28-12AWG 2.5mm ²	28-12AWG 2.5mm ²	28-12AWG 2.5mm ²	28-12AWG 2.5mm ²	28-12AWG 2.5mm ²

型号 Part No.	WJ2EDGVKM-5.08	WJ2EDGUVK-5.08	WJ2EDGUVKM-5.08	WJ2EDGRK-5.0/5.08	WJ2EDGRKM-5.0/5.08
产品 Product					
间距 Pitch	5.08mm	5.08mm	5.08mm	5.0mm,5.08mm	5.0mm,5.08mm
定额 Rated	300V/15A	300V/15A	300V/15A	300V/15A	300V/15A
极数 Poles	6P-24P	6P-24P	6P-24P	6P-24P	6P-24P
线径 Wire	28-12AWG 2.5mm ²	28-12AWG 2.5mm ²	28-12AWG 2.5mm ²	28-12AWG 2.5mm ²	28-12AWG 2.5mm ²

型号 Part No.	WJ2EDGURK-5.0/5.08	WJ2EDGURKM-5.0/5.08	WJ2EDGKP-5.0	WJ2CDGM-5.08	WJ2CDGVC-5.08
产品 Product					
间距 Pitch	5.0mm,5.08mm	5.0mm,5.08mm	5.0mm	5.08mm	5.08mm
定额 Rated	300V/15A	300V/15A	300V/10A	300V/15A	300V/15A
极数 Poles	6P-24P	6P-24P	2P-24P	2P-24P	2P-24P
线径 Wire	28-12AWG 2.5mm ²	28-12AWG 2.5mm ²	28-12AWG 2.5mm ²		

型号 Part No.	WJ2CDGRC-5.08	WJ2CDGVM-5.08	WJ2CDGRM-5.08	HT396K-3.96	HT396V-3.96
产品 Product					
间距 Pitch	5.08mm	5.08mm	5.08mm	3.96mm	3.96mm
定额 Rated	300V/15A	300V/15A	300V/15A	300V/8A	300V/8A
极数 Poles	2P-24P	2P-24P	2P-24P	2P-24P	2P-24P
线径 Wire				26-16AWG 1.5mm ²	

型号 Part No.	HT396R-3.96	HT508K-5.08	HT508V-5.08	HT508R-5.08	WJ3EDGK-7.62
产品 Product					
间距 Pitch	3.96mm	5.08mm	5.08mm	5.08mm	7.62mm
定额 Rated	300V/8A	300V/10A	300V/10A	300V/10A	300V/30A
极数 Poles	2P-24P	2P-24P	2P-24P	2P-24P	2P-24P
线径 Wire		22-14AWG 2.5mm ²			28-10AWG 4.0mm ²

型号 Part No.	WJ3EDGKM-7.62	WJ3EDGVC-7.62	WJ3EDGVM-7.62	WJ3EDGVZM-7.62	WJ3EDGRC-7.62
产品 Product					
间距 Pitch	7.62mm	7.62mm	7.62mm	7.62mm	7.62mm
定额 Rated	300V/30A	300V/30A	300V/30A	300V/30A	300V/30A
极数 Poles	2P-24P	2P-24P	2P-24P	2P-24P	2P-24P
线径 Wire	28-10AWG 4.0mm ²				

型号 Part No.	WJ3EDGRM-7.62	WJ3EDGRZM-7.62	WJ3CDGM-7.62	WJ3EDGKH-7.62	WJ3EDGKHM-7.62
产品 Product					
间距 Pitch	7.62mm	7.62mm	7.62mm	7.62mm	7.62mm
定额 Rated	300V/30A	300V/30A	300V/30A	300V/41A	300V/41A
极数 Poles	2P-24P	2P-24P	2P-24P	2P-12P	2P-12P
线径 Wire				24-8AWG 6mm ²	24-8AWG 6mm ²

型号 Part No.	WJ3EDGVH-7.62	WJ3EDGRH-7.62	WJ3EDGRRH-7.62	WJ3EDGK-10.16	WJ3EDGKM-10.16
产品 Product					
间距 Pitch	7.62mm	7.62mm	7.62mm	10.16mm	10.16mm
定额 Rated	300V/41A	300V/41A	300V/41A	600V/55A	600V/55A
极数 Poles	2P-12P	2P-12P	2P-12P	2P-18P	2P-16P
线径 Wire				20-6AWG 16.0mm ²	20-6AWG 16.0mm ²

型号 Part No.	WJ3EDGVC-10.16	WJ3EDGRC-10.16	WJ3EDGRRC-10.16	WJ3EDGVM-10.16	WJ3EDGRM-10.16
产品 Product					
间距 Pitch	10.16mm	10.16mm	10.16mm	10.16mm	10.16mm
定额 Rated	300V/55A	300V/55A	300V/55A	300V/55A	300V/55A
极数 Poles	2P-18P	2P-18P	2P-18P	2P-16P	2P-16P
线径 Wire					

型号 Part No.	WJ3EDGRRM-10.16	WJM01-5.08	WJ2EDG-PWI	WJ2EDG-PWP	WJ15EDG-PWP
产品 Product					
间距 Pitch	10.16mm				
定额 Rated	300V/55A				
极数 Poles	2P-16P				
线径 Wire					

型号 Part No.	WJ3EDG-PWI				
产品 Product					
间距 Pitch					
定额 Rated					
极数 Poles					
线径 Wire					

型号 Part No.	WJ141V-2.54	WJ141R-2.54	WJ142V-5.0/5.08	WJ142V-7.5/7.62	WJ142R-5.0/5.08
产品 Product					
间距 Pitch	2.54mm	2.54mm	5.0mm,5.08mm	7.5mm,7.62mm	5.0mm,5.08mm
定额 Rated	150V/4A	150V/4A	300V/10A	300V/10A	300V/10A
极数 Poles	1-30P	1-30P	1-30P	1P-30P	1-30P
线径 Wire	26-18AWG 1.0mm ²	26-18AWG 1.0mm ²	24-14AWG 1.5mm ²	24-14AWG 1.5mm ²	24-14AWG 1.5mm ²

型号 Part No.	WJ142R-7.5/7.62	WJ211V-2.5	WJ211V-2.54	WJ211R-2.5	WJ211R-2.54
产品 Product					
间距 Pitch	7.5mm,7.62mm	2.5mm	2.54mm	2.5mm	2.54mm
定额 Rated	300V/10A	150V/5A	150V/5A	150V/5A	150V/5A
极数 Poles	1P-30P	1P-30P	1P-30P	1P-30P	1P-30P
线径 Wire	24-14AWG 1.5mm ²	26-18AWG 0.5mm ²	26-18AWG 0.5mm ²	26-18AWG 0.5mm ²	26-18AWG 0.5mm ²

型号 Part No.	WJ211V-5.0	WJ211R-5.0	WJ212S-THR-3.5	WJ212S-THR-5.0	WJ212V-THR-3.5
产品 Product					
间距 Pitch	5.0mm	5.0mm	3.5mm	5.0mm	3.5mm
定额 Rated	300V/10A	300V/10A	300V/10A	300V/10A	300V/10A
极数 Poles	1P-30P	1-30P	2P-24P	2P-24P	2P-24P
线径 Wire	26-16AWG 1.5mm ²	26-16AWG 1.5mm ²	24-16AWG 1.5mm ²	24-16AWG 1.5mm ²	24-16AWG 1.5mm ²

型号 Part No.	WJ212R-THR-3.5	WJ212VS-THR-3.5	WJ212RS-THR-3.5	WJ212V-THR-5.0	WJ212R-THR-5.0
产品 Product					
间距 Pitch	3.5mm	3.5mm	3.5mm	5.0mm	5.0mm
定额 Rated	300V/10A	300V/10A	300V/10A	300V/10A	300V/10A
极数 Poles	2P-24P	2P-24P	2P-24P	2P-24P	2P-24P
线径 Wire	24-16AWG 1.5mm ²	24-16AWG 1.5mm ²	24-16AWG 1.5mm ²	24-16AWG 1.5mm ²	24-16AWG 1.5mm ²

型号 Part No.	WJ212VS-THR-5.0	WJ212RS-THR-5.0	WJ213A-2.5/2.54	WJ213B-2.5/2.54	WJ235A-3.81
产品 Product					
间距 Pitch	5.0mm	5.0mm	2.5mm,2.54mm	2.5mm,2.54mm	3.81mm
定额 Rated	300V/10A	300V/10A	150V/4A	150V/4A	300V/5A
极数 Poles	2P-24P	2P-24P	1P-30P	1P-30P	1P-30P
线径 Wire	24-16AWG 1.5mm ²	24-16AWG 1.5mm ²	28-20AWG 0.5mm ²	28-20AWG 0.5mm ²	22-18AWG 1.0mm ²

型号 Part No.	WJ235B-3.81	WJ235A-5.0	WJ235B-5.0	WJ236-3.81	WJ236-5.0
产品 Product					
间距 Pitch	3.81mm	5.0mm	5.0mm	3.81mm	5.0mm
定额 Rated	300V/5A	300V/5A	300V/5A	300V/10A	300V/10A
极数 Poles	1P-30P	1P-30P	1P-30P	1P-30P	1P-24P
线径 Wire	22-18WG 1.0mm ²	22-18AWG 1.5mm ²	22-18AWG 1.5mm ²	20-16WG 1.5mm ²	20-16AWG 1.5mm ²

型号 Part No.	WJ236-7.5	WJ237-5.0	WJ237-7.5/10.0	WJ238-5.08	WJ239R-7.5
产品 Product					
间距 Pitch	7.5mm	5.0mm	7.5mm,10.0mm	5.08mm	7.5mm
定额 Rated	300V/10A	300V/12A	300V/12A	300V/10A	600V/40A
极数 Poles	1P-24P	1P-24P	2P-18P	2P-12P	1P-18P
线径 Wire	20-16AWG 1.5mm ²	20-12AWG 2.5mm ²	20-12AWG 2.5mm ²	22-16AWG 1.5mm ²	24-8AWG 10mm ²

型号 Part No.	WJ239V-7.5	WJ239R-10.0	WJ239V-10.0	WJ240S-7.5	WJ240R-7.5
产品 Product					
间距 Pitch	7.5mm	10.0mm	10.0mm	7.5mm	7.5mm
定额 Rated	600V/40A	600V/66A	600V/66A	600V/27A	600V/27A
极数 Poles	1P-18P	1P-12P	1P-12P	1P-24P	1P-24P
线径 Wire	24-8AWG 10mm ²	18-4AWG 16.0mm ²	18-4AWG 16.0mm ²	24-10AWG 6mm ²	24-10AWG 6mm ²

型号 Part No.	WJ240R-10.0	WJ240R-15.0	WJ241V-3.5	WJ241R-3.5	WJ241V-5.0
产品 Product					
间距 Pitch	10.0mm	15.0mm	3.5mm	3.5mm	5.0mm
定额 Rated	600V/51A	600V/51A	300V/10A	300V/10A	300V/20A
极数 Poles	1P-18P	2P-18P	1P-30P	1P-30P	1P-24P
线径 Wire	18-4AWG 16mm ²	18-4AWG 16mm ²	24-16AWG 1.5mm ²	24-16AWG 1.5mm ²	24-12AWG 4mm ²

型号 Part No.	WJ241R-5.0	WJ242-5.0	WJ242-7.5	WJ243A-5.0	WJ245-5.0/5.08
产品 Product					
间距 Pitch	5.0mm	5.0mm	7.5mm	5.0mm	5.0mm,5.08mm
定额 Rated	300V/20A	300V/20A	300V/20A	300V/15A	300V/15A
极数 Poles	1P-24P	1P-24P	2P-24P	1P-30P	1P-30P
线径 Wire	24-12AWG 4mm ²	28-12WG 4.0mm ²	28-12WG 4.0mm ²	26-14WG 2.5mm ²	26-14AWG 2.5mm ²

型号 Part No.	WJ245-7.5/7.62	WJ245T2-5.0/5.08	WJ245T2-7.5/7.62	WJ245T2-10.0/10.16	WJ245T3-5.0/5.08
产品 Product					
间距 Pitch	7.5mm,7.62mm	5.0mm,5.08mm	7.5mm,7.62mm	10.0mm,10.16mm	5.0mm,5.08mm
定额 Rated	300V/15A	300V/10A	300V/10A	300V/10A	300V/10A
极数 Poles	1P-30P	1P-24P	2P-18P	2P-12P	1P-24P
线径 Wire	26-14AWG 2.5mm ²	28-12AWG 2.5mm ²	28-12AWG 2.5mm ²	28-12WG 2.5mm ²	28-12WG 2.5mm ²

型号 Part No.	WJ245T3-7.5/7.62	WJ245T3-10.0/10.16	WJ245T4-5.0/5.08	WJ245T4-7.5/7.62	WJ245T4-10.0/10.16
产品 Product					
间距 Pitch	7.5mm,7.62mm	10.0mm,10.16mm	5.0mm,5.08mm	7.5mm,7.62mm	10.0mm,10.16mm
定额 Rated	300V/10A	300V/10A	300V/10A	300V/10A	300V/10A
极数 Poles	2P-18P	2P-12P	1P-24P	2P-18P	2P-12P
线径 Wire	28-12AWG 2.5mm ²	28-12AWG 2.5mm ²	28-12AWG 2.5mm ²	28-12AWG 2.5mm ²	28-12AWG 2.5mm ²

型号 Part No.	WJ246-7.5	WJ246-10.0	WJ247-5.0	WJ247-7.5	WJ249-3.81/5.08
产品 Product					
间距 Pitch	7.5mm	10.0mm	5.0mm	7.5mm	3.81mm,5.08mm
定额 Rated	300V/30A	300V/30A	300V/8A	300V/8A	300V/10A
极数 Poles	1P-18P	1P-12P	2P-24P	2P-24P	2P-24P
线径 Wire	24-10AWG 4.0mm ²	24-10AWG 4.0mm ²	20-16AWG 1.5mm ²	20-16AWG 1.5mm ²	26-16AWG 1.5mm ²

型号 Part No.	WJ250-2.5	WJ250-3.5	WJ250T-5.0	WJ251-2.5/2.54	
产品 Product					
间距 Pitch	2.5mm	3.5mm	5.0mm	2.5mm,2.54mm	
定额 Rated	300V/4A	300V/5A	300V/10A	150V/4A	
极数 Poles	1P-30P	1P-30P	1P-30P	1P-30P	
线径 Wire	28-20AWG 0.5mm ²	22-18AWG 1.0mm ²	20-16AWG 1.0mm ²	28-20WG 0.5mm ²	

型号 Part No.	WJ0401/0501-01XX	WJ0401/0501-02XX	WJ0401/0501-03XX	WJ0401/0501-04XX	WJ0401/0501-05XX
产品 Product					
间距 Pitch	5.0mm,5.08mm	5.0mm,5.08mm	5.0mm,5.08mm	5.0mm,5.08mm	5.0mm,5.08mm
定额 Rated	300V/15A	300V/15A	300V/15A	300V/15A	300V/15A
极数 Poles	2P-24P	2P-24P	2P-24P	2P-24P	2P-24P
线径 Wire	28-12AWG 2.5mm ²	28-12AWG 2.5mm ²	28-12AWG 2.5mm ²	28-12AWG 2.5mm ²	28-12AWG 2.5mm ²

型号 Part No.	WJ0401/0501-06XX	WJ0401/0501-07XX	WJ0401/0501-08XX	WJ0601/0701-01XX	WJ0601/0701-02XX
产品 Product					
间距 Pitch	5.0mm,5.08mm	5.0mm,5.08mm	5.0mm,5.08mm	7.5mm,7.62mm	7.5mm,7.62mm
定额 Rated	300V/15A	300V/15A	300V/15A	300V/15A	300V/15A
极数 Poles	2P-24P	2P-24P	2P-24P	2P-24P	2P-24P
线径 Wire	28-12AWG 2.5mm ²	28-12AWG 2.5mm ²	28-12AWG 2.5mm ²	28-12AWG 2.5mm ²	28-12AWG 2.5mm ²

型号 Part No.	WJ0601/0701-03XX	WJ0601/0701-04XX	WJ0601/0701-05XX	WJ0601/0701-06XX	WJ0601/0701-07XX
产品 Product					
间距 Pitch	7.5mm,7.62mm	7.5mm,7.62mm	7.5mm,7.62mm	7.5mm,7.62mm	7.5mm,7.62mm
定额 Rated	300V/15A	300V/15A	300V/15A	300V/15A	300V/15A
极数 Poles	2P-24P	2P-24P	2P-24P	2P-24P	2P-24P
线径 Wire	28-12AWG 2.5mm ²	28-12AWG 2.5mm ²	28-12AWG 2.5mm ²	28-12AWG 2.5mm ²	28-12AWG 2.5mm ²

型号 Part No.	WJ0601/0701-08XX	WJ0402/0502-01XX	WJ0402/0502-02XX	WJ0402/0502-03XX	WJ0402/0502-04XX
产品 Product					
间距 Pitch	7.5mm,7.62mm	5.0mm,5.08mm	5.0mm,5.08mm	5.0mm,5.08mm	5.0mm,5.08mm
定额 Rated	300V/15A	300V/15A	300V/15A	300V/15A	300V/15A
极数 Poles	2P-24P	2P-24P	2P-24P	2P-24P	2P-24P
线径 Wire	28-12AWG 2.5mm ²				

型号 Part No.	WJ0402/0502-05XX	WJ0402/0502-06XX	WJ0402/0502-07XX	WJ0402/0502-08XX	WJ0602/0702-01XX
产品 Product					
间距 Pitch	5.0mm,5.08mm	5.0mm,5.08mm	5.0mm,5.08mm	5.0mm,5.08mm	7.5mm,7.62mm
定额 Rated	300V/15A	300V/15A	300V/15A	300V/15A	300V/15A
极数 Poles	2P-24P	2P-24P	2P-24P	2P-24P	2P-24P
线径 Wire					

型号 Part No.	WJ0602/0702-02XX	WJ0602/0702-03XX	WJ0602/0702-04XX	WJ0602/0702-05XX	WJ0602/0702-06XX
产品 Product					
间距 Pitch	7.5mm,7.62mm	7.5mm,7.62mm	7.5mm,7.62mm	7.5mm,7.62mm	7.5mm,7.62mm
定额 Rated	300V/15A	300V/15A	300V/15A	300V/15A	300V/15A
极数 Poles	2P-24P	2P-24P	2P-24P	2P-24P	2P-24P
线径 Wire					

型号 Part No.	WJ0602/0702-07XX	WJ0602/0702-08XX	WJ0403/0503-01XX	WJ0403/0503-02XX	WJ0403/0503-03XX
产品 Product					
间距 Pitch	7.5mm,7.62mm	7.5mm,7.62mm	5.0mm,5.08mm	5.0mm,5.08mm	5.0mm,5.08mm
定额 Rated	300V/15A	300V/15A	300V/15A	300V/15A	300V/15A
极数 Poles	2P-24P	2P-24P	2P-24P	2P-24P	2P-24P
线径 Wire			28-12AWG 2.5mm ²	28-12AWG 2.5mm ²	28-12AWG 2.5mm ²

型号 Part No.	WJ0403/0503-04XX	WJ0403/0503-05XX	WJ0403/0503-06XX	WJ0603/0703-01XX	WJ0603/0703-02XX
产品 Product					
间距 Pitch	5.0mm,5.08mm	5.0mm,5.08mm	5.0mm,5.08mm	7.5mm,7.62mm	7.5mm,7.62mm
定额 Rated	300V/15A	300V/15A	300V/15A	300V/15A	300V/15A
极数 Poles	2P-24P	2P-24P	2P-24P	2P-24P	2P-24P
线径 Wire	28-12AWG 2.5mm ²	28-12AWG 2.5mm ²	28-12AWG 2.5mm ²	28-12AWG 2.5mm ²	28-12AWG 2.5mm ²

型号 Part No.	WJ0603/0703-03XX	WJ0603/0703-04XX	WJ0603/0703-05XX	WJ0603/0703-06XX	WJ0404/0504-01XX
产品 Product					
间距 Pitch	7.5mm,7.62mm	7.5mm,7.62mm	7.5mm,7.62mm	7.5mm,7.62mm	5.0mm,5.08mm
定额 Rated	300V/15A	300V/15A	300V/15A	300V/15A	300V/15A
极数 Poles	2P-24P	2P-24P	2P-24P	2P-24P	2P-24P
线径 Wire	28-12AWG 2.5mm ²	28-12AWG 2.5mm ²	28-12AWG 2.5mm ²	28-12AWG 2.5mm ²	28-12AWG 2.5mm ²

型号 Part No.	WJ0404/0504-02XX	WJ0404/0504-03XX	WJ0404/0504-04XX	WJ0604/0704-01XX	WJ0604/0704-02XX
产品 Product					
间距 Pitch	5.0mm,5.08mm	5.0mm,5.08mm	5.0mm,5.08mm	7.5mm,7.62mm	7.5mm,7.62mm
定额 Rated	300V/15A	300V/15A	300V/15A	300V/15A	300V/15A
极数 Poles	2P-24P	2P-24P	2P-24P	2P-24P	2P-24P
线径 Wire	28-12AWG 2.5mm ²	28-12AWG 2.5mm ²	28-12AWG 2.5mm ²	28-12AWG 2.5mm ²	28-12AWG 2.5mm ²

型号 Part No.	WJ0604/0704-03XX	WJ0604/0704-04XX	WJ0101-01XX	WJ0101-02XX	WJ0201/0301-01XX
产品 Product					
间距 Pitch	7.5mm,7.62mm	7.5mm,7.62mm	2.5mm	2.5mm	3.5mm,3.81mm
定额 Rated	300V/15A	300V/15A	150V/4A	150V/4A	300V/10A
极数 Poles	2P-24P	2P-24P	2P-12P	2P-12P	2P-24P
线径 Wire	28-12AWG 2.5mm ²	28-12AWG 2.5mm ²	28-20AWG 0.5mm ²	28-20AWG 0.5mm ²	28-14AWG 1.5mm ²

型号 Part No.	WJ0201/0301-02XX	WJ0102-01XX	WJ0102-02XX	WJ0202/0302-01XX	WJ0202/0302-02XX
产品 Product					
间距 Pitch	3.5mm,3.81mm	2.5mm	2.5mm	3.5mm,3.81mm	3.5mm,3.81mm
定额 Rated	300V/10A	150V/4A	150V/4A	300V/10A	300V/10A
极数 Poles	2P-24P	2P-12P	2P-12P	2P-24P	2P-24P
线径 Wire	28-14AWG 1.5mm ²				

型号 Part No.	WJ0103-01XX	WJ0203/0303-01XX	WJ0203/0303-02XX	WJT01	WJT02
产品 Product					
间距 Pitch	2.5mm	3.5mm,3.81mm	3.5mm,3.81mm		
定额 Rated	150V/4A	300V/10A	300V/10A		
极数 Poles	2P-12P	2P-24P	2P-24P		
线径 Wire	28-20AWG 0.5mm ²	28-14AWG 1.5mm ²	28-14AWG 1.5mm ²		

型号 Part No.	WJT04	WJT05	WJG01		
产品 Product					
间距 Pitch					
定额 Rated					
极数 Poles					
线径 Wire					

型号 Part No.	MY8HS-0	MY8HS-1.2	MY8HS-4.3	MY10HS-0	MY10HS-1.2
产品 Product					
间距 Pitch	8.2mm	8.2mm	8.2mm	10.0mm	10.0mm
定额 Rated	600V/20A	600V/20A	600V/20A	300V/30A	300V/30A
极数 Poles	2P-12P	2P-12P	2P-12P	2P-12P	2P-12P
线径 Wire	20-12AWG 4mm ²	20-12AWG 4mm ²	20-12AWG 4mm ²	20-10AWG 2.5mm ²	20-10AWG 2.5mm ²

型号 Part No.	MY10HS-4.3	MY8H-0	MY8H-1.2	MY8H-4.3	MY10H-0
产品 Product					
间距 Pitch	10.0mm	8.0mm	8.0mm	8.0mm	10.0mm
定额 Rated	600V/30A	600V/20A	600V/20A	600V/20A	300V/30A
极数 Poles	2P-12P	2P-12P	2P-12P	2P-12P	2P-12P
线径 Wire	20-10AWG 2.5mm ²	20-12AWG 4mm ²	20-12AWG 4mm ²	20-12AWG 4mm ²	20-10AWG 2.5mm ²

型号 Part No.	MY10H-1.2	MY10H-4.3	MY12H-0	MY12H-1.2	MY12H-4.3
产品 Product					
间距 Pitch	10.0mm	10.0mm	12.0mm	12.0mm	12.0mm
定额 Rated	300V/30A	300V/30A	600V/50A	600V/50A	600V/50A
极数 Poles	2P-12P	2P-12P	2P-12P	2P-12P	2P-12P
线径 Wire	20-10AWG 2.5mm ²	20-10AWG 2.5mm ²	20-8AWG 6mm ²	20-8AWG 6mm ²	20-8AWG 6mm ²

型号 Part No.	MY14H-0	MY14H-1.2	MY14H-4.3	MY16H-0	MY16H-1.2
产品 Product					
间距 Pitch	13.5mm	13.5mm	13.5mm	14.6mm	14.6mm
定额 Rated	600V/50A	600V/50A	600V/50A	600V/65A	600V/65A
极数 Poles	2P-12P	2P-12P	2P-12P	2P-12P	2P-12P
线径 Wire	20-8AWG 10mm ²	20-8AWG 10mm ²	20-8AWG 10mm ²	20-6AWG 16mm ²	20-6AWG 16mm ²

型号 Part No.	MY16H-4.3	MY8HW-0	MY8HW-1.2	MY8HW-4.3	MY10HW-0
产品 Product					
间距 Pitch	14.6mm	8.0mm	8.0mm	8.0mm	10.0mm
定额 Rated	600V/65A	600V/20A	600V/20A	600V/20A	300V/30A
极数 Poles	2P-12P	2P-12P	2P-12P	2P-12P	2P-12P
线径 Wire	20-6AWG 16mm ²	20-12AWG 2.5mm ²	20-12AWG 2.5mm ²	20-12AWG 2.5mm ²	20-12AWG 2.5mm ²

型号 Part No.	MY10HW-1.2	MY10HW-4.3	MY12HW-0	MY12HW-1.2	MY12HW-4.3
产品 Product					
间距 Pitch	10.0mm	10.0mm	12.0mm	12.0mm	12.0mm
定额 Rated	300V/30A	300V/30A	600V/50A	600V/50A	600V/50A
极数 Poles	2P-12P	2P-12P	2P-12P	2P-12P	2P-12P
线径 Wire	20-12AWG 2.5mm ²	20-12AWG 2.5mm ²	20-8AWG 6.0mm ²	20-8AWG 6.0mm ²	20-8AWG 6.0mm ²

型号 Part No.	MY14HW-0	MY14HW-1.2	MY14HW-4.3	MY16HW-0	MY16HW-1.2
产品 Product					
间距 Pitch	13.5mm	13.5mm	13.5mm	14.6mm	14.6mm
定额 Rated	600V/50A	600V/50A	600V/50A	600V/65A	600V/65A
极数 Poles	2P-12P	2P-12P	2P-12P	1P-12P	1P-12P
线径 Wire	20-8AWG 10mm ²	20-8AWG 10mm ²	20-8AWG 10mm ²	20-6AWG 16mm ²	20-6AWG 16mm ²

型号 Part No.	MY16HW-4.3	MY510			
产品 Product					
间距 Pitch	14.6mm	10.0mm			
定额 Rated	600V/65A	300V/6.3A			
极数 Poles	1P-12P	2P-5P			
线径 Wire	20-6AWG 16mm ²	22-14AWG 2.5mm ²			

型号 Part No.	WJ25C	WJ25S	WJ25H	WJ25R	WJ25CM
产品 Product					
间距 Pitch	7.62mm	7.62mm	7.62mm	7.62mm	7.62mm
定额 Rated	300V/15A	300V/15A	300V/15A	300V/15A	300V/15A
极数 Poles	2P-26P	2P-26P	2P-26P	2P-26P	2P-26P
线径 Wire	22-14AWG 2.5mm ²	22-14AWG 2.5mm ²	22-14AWG 2.5mm ²	22-14AWG 2.5mm ²	22-14AWG 2.5mm ²

型号 Part No.	WJ25SM	WJ25HM	WJ25RM	WJ35C	WJ35S
产品 Product					
间距 Pitch	7.62mm	7.62mm	7.62mm	8.25mm	8.25mm
定额 Rated	300V/15A	300V/15A	300V/15A	300V/20A	300V/20A
极数 Poles	2P-26P	2P-26P	2P-24P	2P-24P	2P-24P
线径 Wire	22-14AWG 2.5mm ²	22-14AWG 2.5mm ²	22-14AWG 2.5mm ²	22-12AWG 2.5mm ²	22-12AWG 2.5mm ²

型号 Part No.	WJ35H	WJ35R	WJ35CM	WJ35SM	WJ35HM
产品 Product					
间距 Pitch	8.25mm	8.25mm	8.25mm	8.25mm	8.25mm
定额 Rated	300V/20A	300V/20A	300V/20A	300V/20A	300V/20A
极数 Poles	2P-24P	2P-24P	2P-22P	2P-22P	2P-22P
线径 Wire	22-12AWG 2.5mm ²	22-12AWG 2.5mm ²	22-12AWG 2.5mm ²	22-12AWG 2.5mm ²	22-12AWG 2.5mm ²

型号 Part No.	WJ35RM	WJ45C	WJ45S	WJ45H	WJ45R
产品 Product					
间距 Pitch	8.25mm	9.5mm	9.5mm	9.5mm	9.5mm
定额 Rated	300V/20A	300V/20A	300V/20A	300V/20A	300V/20A
极数 Poles	2P-22P	2P-24P	2P-24P	2P-24P	2P-24P
线径 Wire	22-12AWG 2.5mm ²	22-12AWG 4.0mm ²	22-12AWG 4.0mm ²	22-12AWG 4.0mm ²	22-12AWG 4.0mm ²

型号 Part No.	WJ45CM	WJ45SM	WJ45HM	WJ45RM	WJ55C
产品 Product					
间距 Pitch	9.5mm	9.5mm	9.5mm	9.5mm	10.0mm
定额 Rated	300V/20A	300V/20A	300V/20A	300V/20A	300V/20A
极数 Poles	2P-22P	2P-22P	2P-22P	2P-22P	2P-24P
线径 Wire	22-12AWG 4.0mm ²	22-12AWG 4.0mm ²	22-12AWG 4.0mm ²	22-12AWG 4.0mm ²	22-12AWG 4.0mm ²

型号 Part No.	WJ55S	WJ55H	WJ55R	WJ55CM	WJ55SM
产品 Product					
间距 Pitch	10.0mm	10.0mm	10.0mm	10.0mm	10.0mm
定额 Rated	300V/20A	300V/20A	300V/20A	300V/20A	300V/20A
极数 Poles	2P-24P	2P-24P	2P-24P	2P-22P	2P-22P
线径 Wire	22-12AWG 4.0mm ²	22-12AWG 4.0mm ²	22-12AWG 4.0mm ²	22-12AWG 4.0mm ²	22-12AWG 4.0mm ²

型号 Part No.	WJ55HM	WJ55RM	WJ65C	WJ65S	WJ65H
产品 Product					
间距 Pitch	10.0mm	10.0mm	11.0mm	11.0mm	11.0mm
定额 Rated	300V/20A	300V/20A	300V/20A	300V/20A	300V/20A
极数 Poles	2P-22P	2P-22P	2P-24P	2P-24P	2P-24P
线径 Wire	22-12AWG 4.0mm ²	22-12AWG 4.0mm ²	22-12AWG 4.0mm ²	22-12AWG 4.0mm ²	22-12AWG 4.0mm ²

型号 Part No.	WJ65R	WJ65CM	WJ65SM	WJ65HM	WJ65RM
产品 Product					
间距 Pitch	11.0mm	11.0mm	11.0mm	11.0mm	11.0mm
定额 Rated	300V/20A	300V/20A	300V/20A	300V/20A	300V/20A
极数 Poles	2P-24P	2P-22P	2P-22P	2P-22P	2P-22P
线径 Wire	22-12AWG 4.0mm ²	22-12AWG 4.0mm ²	22-12AWG 4.0mm ²	22-12AWG 4.0mm ²	22-12AWG 4.0mm ²

型号 Part No.	WJ28C	WJ28S	WJ28H	WJ28R	WJ28CM
产品 Product					
间距 Pitch	7.62mm	7.62mm	7.62mm	7.62mm	7.62mm
定额 Rated	300V/15A	300V/15A	300V/15A	300V/15A	300V/15A
极数 Poles	2P-22P	2P-22P	2P-22P	2P-22P	2P-20P
线径 Wire	22-14AWG 2.5mm ²	22-14AWG 2.5mm ²	22-14AWG 2.5mm ²	22-14AWG 2.5mm ²	22-14AWG 2.5mm ²

型号 Part No.	WJ28SM	WJ28HM	WJ28RM	WJ38C	WJ38S
产品 Product					
间距 Pitch	7.62mm	7.62mm	7.62mm	8.25mm	8.25mm
定额 Rated	300V/15A	300V/15A	300V/15A	300V/20A	300V/20A
极数 Poles	2P-20P	2P-20P	2P-20P	2P-22P	2P-22P
线径 Wire	22-14AWG 2.5mm ²	22-14AWG 2.5mm ²	22-14AWG 2.5mm ²	22-12AWG 2.5mm ²	22-12AWG 2.5mm ²

型号 Part No.	WJ38H	WJ38R	WJ38CM	WJ38SM	WJ38HM
产品 Product					
间距 Pitch	8.25mm	8.25mm	8.25mm	8.25mm	8.25mm
定额 Rated	300V/20A	300V/20A	300V/20A	300V/20A	300V/20A
极数 Poles	2P-22P	2P-22P	2P-20P	2P-20P	2P-20P
线径 Wire	22-12AWG 2.5mm ²	22-12AWG 2.5mm ²	22-12AWG 2.5mm ²	22-12AWG 2.5mm ²	22-12AWG 2.5mm ²

型号 Part No.	WJ38RM	WJ48C	WJ48S	WJ48H	WJ48R
产品 Product					
间距 Pitch	8.25mm	9.5mm	9.5mm	9.5mm	9.5mm
定额 Rated	300V/20A	300V/20A	300V/20A	300V/20A	300V/20A
极数 Poles	2P-20P	2P-22P	2P-22P	2P-22P	2P-22P
线径 Wire	22-12AWG 2.5mm ²	22-12AWG 4.0mm ²	22-12AWG 4.0mm ²	22-12AWG 4.0mm ²	22-12AWG 4.0mm ²

型号 Part No.	WJ48CM	WJ48SM	WJ48HM	WJ48RM	WJ58C
产品 Product					
间距 Pitch	9.5mm	9.5mm	9.5mm	9.5mm	10.0mm
定额 Rated	300V/20A	300V/20A	300V/20A	300V/20A	300V/20A
极数 Poles	2P-20P	2P-20P	2P-20P	2P-20P	2P-20P
线径 Wire	22-12AWG 4.0mm ²	22-12AWG 4.0mm ²	22-12AWG 4.0mm ²	22-12AWG 4.0mm ²	22-12AWG 4.0mm ²

型号 Part No.	WJ58S	WJ58H	WJ58R	WJ58CM	WJ58SM
产品 Product					
间距 Pitch	10.0mm	10.0mm	10.0mm	10.0mm	10.0mm
定额 Rated	300V/20A	300V/20A	300V/20A	300V/20A	300V/20A
极数 Poles	2P-20P	2P-20P	2P-20P	2P-20P	2P-20P
线径 Wire	22-12AWG 4.0mm ²	22-12AWG 4.0mm ²	22-12AWG 4.0mm ²	22-12AWG 4.0mm ²	22-12AWG 4.0mm ²

型号 Part No.	WJ58HM	WJ58RM	WJ68C	WJ68S	WJ68H
产品 Product					
间距 Pitch	10.0mm	10.0mm	11.0mm	11.0mm	11.0mm
定额 Rated	300V/20A	300V/20A	300V/20A	300V/20A	300V/20A
极数 Poles	2P-20P	2P-20P	2P-22P	2P-22P	2P-22P
线径 Wire	22-12AWG 4.0mm ²	22-12AWG 4.0mm ²	22-12AWG 4.0mm ²	22-12AWG 4.0mm ²	22-12AWG 4.0mm ²

型号 Part No.	WJ68R	WJ68CM	WJ68SM	WJ68HM	WJ68RM
产品 Product					
间距 Pitch	11.0mm	11.0mm	11.0mm	11.0mm	11.0mm
定额 Rated	300V/20A	300V/20A	300V/20A	300V/20A	300V/20A
极数 Poles	2P-22P	2P-20P	2P-20P	2P-20P	2P-20P
线径 Wire	22-12AWG 4.0mm ²	22-12AWG 4.0mm ²	22-12AWG 4.0mm ²	22-12AWG 4.0mm ²	22-12AWG 4.0mm ²

型号 Part No.	WJ78C	WJ78S	WJ78H	WJ78R	WJ78CM
产品 Product					
间距 Pitch	13.0mm	13.0mm	13.0mm	13.0mm	13.0mm
定额 Rated	600V/40A	600V/40A	600V/40A	600V/40A	600V/40A
极数 Poles	2P-20P	2P-20P	2P-20P	2P-20P	2P-18P
线径 Wire	18-10AWG 6.0mm ²	18-10AWG 6.0mm ²	18-10AWG 6.0mm ²	18-10AWG 6.0mm ²	18-10AWG 6.0mm ²

型号 Part No.	WJ78SM	WJ78HM	WJ78RM	WJ06	WJ16
产品 Product					
间距 Pitch	13.0mm	13.0mm	13.0mm	7.62mm	6.35mm
定额 Rated	600V/40A	600V/40A	600V/40A	300V/15A	300V/10A
极数 Poles	2P-18P	2P-18P	2P-18P	2P-22P	2P-30P
线径 Wire	18-10AWG 6.0mm ²	18-10AWG 6.0mm ²	18-10AWG 6.0mm ²	22-14AWG 2.5mm ²	22-16AWG 1.5mm ²

型号 Part No.	WJ16A	WJ16R	WJ26	WJ36	WJ36SG
产品 Product					
间距 Pitch	6.35mm	6.35mm	8.5mm	8.25mm	8.25mm
定额 Rated	300V/10A	300V/10A	300V/20A	300V/20A	300V/20A
极数 Poles	2P-30P	2P-30P	2P-26P	2P-26P	2P-26P
线径 Wire	22-16AWG 1.5mm ²	22-16AWG 1.5mm ²	22-14AWG 1.5mm ²	22-12AWG 2.5mm ²	22-12AWG 2.5mm ²

型号 Part No.	WJ36A	WJ36G	WJ46	WJ46SG	WJ46A
产品 Product					
间距 Pitch	8.25mm	8.25mm	9.5mm	9.5mm	9.5mm
定额 Rated	300V/20A	300V/20A	300V/20A	300V/20A	300V/20A
极数 Poles	2P-26P	2P-26P	2P-20P	2P-26P	2P-20P
线径 Wire	22-12AWG 2.5mm ²	22-12AWG 2.5mm ²	22-12AWG 2.5mm ²	22-12AWG 2.5mm ²	22-12AWG 2.5mm ²

型号 Part No.	WJ46G	WJ46GA	WJ46GX	WJ46GG	WJ66
产品 Product					
间距 Pitch	9.5mm	9.5mm	9.5mm	9.5mm	11.1mm
定额 Rated	300V/20A	300V/20A	300V/20A	300V/20A	300V/30A
极数 Poles	2P-12P	2P-12P	2P-9P	2P-9P	2P-23P
线径 Wire	22-12AWG 2.5mm ²	22-12AWG 2.5mm ²	22-12AWG 2.5mm ²	22-12AWG 2.5mm ²	22-10AWG 4.0mm ²

型号 Part No.	WJ66A	WJ45X	WJ48RW	WJ58RW	WJ49M
产品 Product					
间距 Pitch	11.1mm	9.5mm	9.5mm	10mm	9.5mm
定额 Rated	300V/30A	300V/20A	300V/20A	300V/20A	300V/20A
极数 Poles	2P-23P	2P-22P	2P-22P	2P-20P	2P-26P
线径 Wire	22-10AWG 4.0mm ²	22-12AWG 2.5mm ²	22-12AWG 4.0mm ²	22-12AWG 4.0mm ²	22-12AWG 4.0mm ²

型号 Part No.	WJ69M	WJ89M	WJ10-8.5	WJ10C-8.5	WJ10L-8.5
产品 Product					
间距 Pitch	11mm	14mm	8.5mm	8.5mm	8.5mm
定额 Rated	300V/25A	600V/30A	300V/20A	300V/20A	300V/20A
极数 Poles	2P-26P	2P-22P	2P-15P	2P-15P	2P-15P
线径 Wire	22-12AWG 4.0mm ²	22-10AWG 6.0mm ²	22-12AWG	22-12AWG	22-12AWG

型号 Part No.	WJ10-11.0	WJ10C-11.0	WJ10L-11.0	WJ10-13.0	WJ10C-13.0
产品 Product					
间距 Pitch	11.0mm	11.0mm	11.0mm	13.0mm	13.0mm
定额 Rated	300V/30A	300V/30A	300V/30A	600V/50A	600V/50A
极数 Poles	2P-15P	2P-15P	2P-15P	1P-15P	1P-15P
线径 Wire	22-10AWG	22-10AWG	22-10AWG	22-8AWG	22-8AWG

型号 Part No.	WJ10L-13.0	WJ10-16.0	WJ10C-16.0	WJ10L-16.0	WJ10-21.0
产品 Product					
间距 Pitch	13.0mm	16.0mm	16.0mm	16.0mm	21.0mm
定额 Rated	600V/50A	600V/65A	600V/65A	600V/65A	600V/115A
极数 Poles	1P-15P	1P-15P	1P-15P	1P-15P	1P-15P
线径 Wire	22-8AWG	14-6AWG	14-6AWG	14-6AWG	8-2AWG

型号 Part No.	WJ10C-21.0	WJ10L-21.0	WJ10-27.0	WJ10C-27.0	WJ10L-27.0
产品 Product					
间距 Pitch	21.0mm	21.0mm	27.0mm	27.0mm	27.0mm
定额 Rated	600V/115A	600V/115A	600V/170A	600V/170A	600V/170A
极数 Poles	1P-15P	1P-15P	1P-15P	1P-15P	1P-15P
线径 Wire	8-2AWG	8-2AWG	10-2/0AWG	10-2/0AWG	10-2/0AWG

型号 Part No.	CZX7620	CZ8500	WJTB15	EM-1	EM-1A
产品 Product					
间距 Pitch	7.62mm	8.5mm	9.0mm	11.0mm	11.0mm
定额 Rated	300V/10A	300V/15A	300V/15A	300V/20A	300V/20A
极数 Poles	2P-20P	2P-25P	3P,12P	3P	3P
线径 Wire	22-14AWG 1.5mm ²	22-14AWG 1.5mm ²	22-12AWG 4.0mm ²	22-12AWG 4.0mm ²	22-12AWG 4.0mm ²

型号 Part No.	EM-2	EM-2A	EM-3	EM-4	EM-5
产品 Product					
间距 Pitch	11.0mm	11.0mm	11.5mm	8.8mm	12.5mm
定额 Rated	300V/20A	300V/20A	300V/30A	300V/15A	300V/32A
极数 Poles	3P	3P	3P	4P	3P
线径 Wire	22-12AWG 4.0mm ²	22-12AWG 4.0mm ²	22-10AWG 6.0mm ²	22-14AWG 2.5mm ²	22-10AWG 6.0mm ²

型号 Part No.	EM-51H	EM-52H	EM-1H	EM-2H	EMT-2
产品 Product					
间距 Pitch	12.5mm	12.5mm	11.0mm	11.0mm	11.0mm
定额 Rated	300V/32A	300V/32A	300V/25A	300V/25A	300V/30A
极数 Poles	3P	3P	4P	4P	2P
线径 Wire	22-10AWG 6.0mm ²	22-10AWG 6.0mm ²	22-12AWG 4.0mm ²	22-12AWG 4.0mm ²	22-12AWG 4.0mm ²

型号 Part No.	EMT-3	EMT-4	EM-21	EM-21A
产品 Product				
间距 Pitch	12.65mm	11.0mm	11.0mm	11.0mm
定额 Rated	300V/30A	300V/30A	300V/30A	300V/30A
极数 Poles	3P	4P	2 × (2P-4P)	2 × (2P-4P)
线径 Wire	22-10AWG 6.0mm ²	22-12AWG 4.0mm ²	22-12AWG 4.0mm ²	22-12AWG 4.0mm ²

型号 Part No.	FMDT-OTA-02P	FMDT-OTA-03P	FMDT-OTA-04P	FMDT-OTA-06P	FMDT-OTA-08P
产品 Product					
厚度 Thickness	12.5mm	17.5mm	22.5mm	35.0mm	45.0mm
定额 Rated	300V/15A	300V/15A	300V/15A	300V/15A	300V/15A
极数 Poles	02P	03P	04P	06P	08P
线径 Wire	28-12AWG 2.5mm ²	28-12AWG 2.5mm ²	28-12AWG 2.5mm ²	28-12AWG 2.5mm ²	28-12AWG 2.5mm ²

型号 Part No.	FMDT-CTA-04P	FMDT-CTA-08P	SP6	SP7	SP8
产品 Product					
厚度 Thickness	22.5mm	45.0mm			
定额 Rated	300V/15A	300V/15A			
极数 Poles	04P	08P			
线径 Wire	28-12AWG 2.5mm ²	28-12AWG 2.5mm ²			

型号 Part No.	WJET-04	WJET-10	WJET-25		
产品 Product					
间距 Pitch					
额定 Rated	400V/3A	400V/10A	400V/10A		
极数 Poles					
线径 Wire	0.2-0.5mm ²	0.5-1.0mm ²	1.25-2.5mm ²		

型号 Part No.	WJK01	WJK02	WJK03	WJK04	WJK05
产品 Product					
间距 Pitch					
额定 Rated	15A	15A	15A	15A	15A
极数 Poles					
线径 Wire					

型号 Part No.	WJK06				
产品 Product					
间距 Pitch					
额定 Rated	15A				
极数 Poles					
线径 Wire					

型号 Part No.	GWS1.5	GWS1.5J	GWS1.5B	GWS1.5BJ	GWS2.5
产品 Product					
厚度 Thickness	5.0mm	5.0mm	8.0mm	8.0mm	6.0mm
额定 Rated	300V/10A	300V/10A	300V/10A	300V/10A	300V/15A
极数 Poles	2P-24P	2P-24P	2P-24P	2P-24P	2P-24P
线径 Wire	28-16AWG 1.5mm ²	28-16AWG 1.5mm ²	28-16AWG 1.5mm ²	28-16AWG 1.5mm ²	28-14AWG 2.5mm ²

型号 Part No.	GWS2.5J	GWS2.5B	GWS2.5BJ	GWS4	GWS4J
产品 Product					
厚度 Thickness	6.0mm	10.0mm	10.0mm	7.0mm	7.0mm
额定 Rated	300V/15A	300V/15A	300V/15A	300V/20A	300V/20A
极数 Poles	2P-24P	2P-24P	2P-24P	2P-24P	2P-24P
线径 Wire	28-14AWG 2.5mm ²	28-14AWG 2.5mm ²	28-14AWG 2.5mm ²	28-12AWG 4.0mm ²	28-12AWG 4.0mm ²

型号 Part No.	GWS4B	GWS4BJ			
产品 Product					
厚度 Thickness	12.0mm	12.0mm			
额定 Rated	300V/20A	300V/20A			
极数 Poles	2P-24P	2P-24P			
线径 Wire	28-12AWG 4.0mm ²	28-12AWG 4.0mm ²			

型号 Part No.	GUV1.5-102	GUV2.5-102	GUV4-102	GUV6-102	GUV10-102
产品 Product					
厚度 Thickness	3.5mm	5.2mm	6.2mm	8.2mm	10.2mm
额定 Rated	300V/15A, 500V/17.5A	600V/20A, 800V/24A	600V/30A, 800V/32A	600V/40A, 1000V/41A	600V/60A, 1000V/57A
连接数 Connections	2	2	2	2	2
线径 Wire	26-14AWG 0.2-1.5mm ²	26-12AWG 0.2-2.5mm ²	24-10AWG 0.2-4.0mm ²	20-8AWG 0.5-6.0mm ²	20-6AWG 0.5-10.0mm ²

型号 Part No.	GUV6-103	GUV10-103	GUV1.5-104	GUV2.5-104	GUV6-104
产品 Product					
厚度 Thickness	8.2mm	10.2mm	3.5mm	3.5mm	8.2mm
额定 Rated	600V/40A, 1000V/41A	600V/60A, 1000V/57A	300V/15A, 500V/17.5A	600V/20A, 800V/24A	600V/40A, 1000V/41A
连接数 Connections	3	3	4	4	4
线径 Wire	20-8AWG 0.5-6.0mm ²	26-6AWG 0.5-10.0mm ²	26-14AWG 0.2-1.5mm ²	26-12AWG 0.2-2.5mm ²	20-8AWG 0.5-6.0mm ²

型号	GUV1.5-102-PE	GUV2.5-102-PE	GUV4-102-PE	GUV6-102-PE	GUV10-102-PE
产品 Product					
厚度 Thickness	3.5mm	5.2mm	6.2mm	8.2mm	10.2mm
定额 Rated					
连接数 Connections	2	2	2	2	2
线径 Wire	26-14AWG 0.2-1.5mm ²	26-12AWG 0.2-2.5mm ²	24-10AWG 0.2-4.0mm ²	20-8AWG 0.5-6.0mm ²	20-6AWG 0.5-10.0mm ²

型号 Part No.	GUV6-103-PE	GUV10-103-PE	GUV1.5-104-PE	GUV2.5-104-PE	GUV6-104-PE
产品 Product					
厚度 Thickness	8.2mm	10.2mm	3.5mm	5.2mm	8.2mm
定额 Rated					
连接数 Connections	3	3	4	4	4
线径 Wire	20-8AWG 0.5-6.0mm ²	26-6AWG 0.5-10.0mm ²	26-14AWG 0.2-1.5mm ²	26-12AWG 0.2-2.5mm ²	20-8AWG 0.5-6.0mm ²

型号 Part No.	DUV1.5-102	DUV2.5-102	DUV4-102	DUV6-102	DUV10-102
产品 Product					
厚度 Thickness	2.2mm	2.2mm	2.2mm	2.2mm	2.2mm
匹配型号 Matched	GUV1.5-102	GUV2.5-102	GUV4-102	GUV6-102	GUV10-102

型号 Part No.	DUV6-103	DUV10-103	DUV1.5-104	DUV2.5-104	DUV6-104
产品 Product					
厚度 Thickness	2.2mm	2.2mm	2.2mm	2.2mm	2.2mm
匹配型号 Matched	GUV6-103	GUV10-103	GUV1.5-104	GUV2.5-104	GUV6-104

型号 Part No.	FUVA2.5-XX	FUVA4-XX	FUVA6-XX	FUVA10-XX	
产品 Product					
位数 Poles	2, 3, 4, 5, 10	2, 3, 4, 5, 10	2, 3, 4, 5, 10	2	
定额 Rated (MAX)	24A	32A	41A	50A	
匹配型号 Matched	GUV2.5-102 GUV2.5-103 GUV2.5-104	GUV4-102 GUV4-103 GUV4-104	GUV6-102 GUV6-103 GUV6-104	GUV10-102 GUV10-103	

型号 Part No.	MUV1.5-10	MUV2.5-10	MUV4-10	MUV6-10	MUV10-10
产品 Product					
位数 Poles	10	10	10	10	10
匹配型号 Matched	GUV1.5-102 GUV1.5-103 GUV1.5-104 GUK1.5N	GUV2.5-102 GUV2.5-103 GUV2.5-104 GUK3N	GUV4-102 GUV4-103 GUV4-104 GUK2.5B GUK5N	GUV6-102 GUV6-103 GUV6-104 GUK6N	GUV10-102 GUV10-103 GUK10N GUK16N GUK35

型号 Part No.	PUV1.5-144	PUV2.5-96	PUV4-80	PUV6-56	PUV10-48
产品 Product					
位数 Poles	144	96	80	56	48
定额 Rated (MAX)					
匹配型号 Matched	GUV1.5-102 GUV1.5-103 GUV1.5-104	GUV2.5-102 GUV2.5-103 GUV2.5-104	GUV4-102 GUV4-103 GUV4-104	GUV6-102 GUV6-103 GUV6-104	GUV10-102 GUV10-103

型号 Part No.	GUK1.5N	GUK2.5B	GUK3N	GUK5N	GUK6N
产品 Product					
厚度 Thickness	4.2mm	6.2mm	5.2mm	6.2mm	8.2mm
定额 Rated	300V/10A, 500V/17.5A	600V/20A, 800V/24A	600V/20A, 800V/24A	600V/30A, 800V/32A	600V/50A, 800V/41A
连接数 Connections	2	2	2	2	2
线径 Wire	26-16AWG 0.2-1.5mm ²	24-12AWG 0.2-2.5mm ²	24-12AWG 0.2-2.5mm ²	24-10AWG 0.2-4.0mm ²	24-8AWG 0.5-6.0mm ²

型号 Part No.	GUK10N	GUK16N	GUK35	GUKK3	GUDK4
产品 Product					
厚度 Thickness	10.15mm	12.2mm	15.2mm	5.2mm	6.2mm
定额 Rated	600V/65A,800V/57A	600V/85A,800V/76A	600V/150A,1000V/125A	300V/20A,500V/24A	300V/30A,630V/32A
连接数 Connections	2	2	2	2+2	4
线径 Wire	20-6AWG 0.5-10.0mm ²	22-4AWG 4.0-16.0mm ²	18-1/0AWG 10.0-35.0mm ²	24-12AWG 0.2-2.5mm ²	26-10AWG 0.2-4.0mm ²

型号 Part No.	FUKB35-XX	FUKC2.5-XX	EB-35	EW-35	
产品 Product					
厚度 Thickness	/	/	9.5mm	7.5mm	
位数 Poles	2-10	2-10	/	/	
定额 Rated	/	/	/	/	
匹配型号 Matched	GUK35	GUK3N	/	/	

型号 Part No.	GUSLKG35				
产品 Product					
厚度 Thickness	15.2mm				
定额 Rated					
连接数 Connections	2				
线径 Wire	18-2AWG 10.0-35.0mm ²				

型号 Part No.	DGS1-35x7.5Z-XXX	DGS1-35x7.5W-XXX			
产品 Product					
高度 Height	7.5mm	7.5mm			
长度 Length	可定制	可定制			
宽度 Width	35mm	35mm			

型号 Part No.	D-GUK3/10	D-GUK16	D-GUKK3/5	D-GUDK4	
产品 Product					
厚度 Thickness	1.8mm	1.5mm	2.5mm	2.0mm	
匹配型号 Matched	GUK3N GUK5N GUK6N GUK10N	GUK16N	GUKK3	GUDK4	

型号 Part No.	FUKB2.5-XX	FUKB4-XX	FUKB6-XX	FUKB10-XX	FUKB16-XX
产品 Product					
厚度 Thickness	/	/	/	/	/
位数 Poles	2-10	2-10	2-10	2-10	2-10
定额 Rated	/	/	/	/	/
匹配型号 Matched	GUK3N	GUK5N,GUDK4	GUK6N	GUK10N	GUK16N

型号 Part No.	FUKB2.5-XX	FUKB4-XX	FUKB6-XX	FUKB10-XX	FUKB16-XX
产品 Product					
厚度 Thickness	/	/	/	/	/
位数 Poles	2-10	2-10	2-10	2-10	2-10
定额 Rated	/	/	/	/	/
匹配型号 Matched	GUK3N	GUK5N,GUDK4	GUK6N	GUK10N	GUK16N

型号 Part No.					
产品 Product					
厚度 Thickness					
位数 Poles					
定额 Rated					
匹配型号 Matched					

插拔式产品互配选型参考表 Plug-in Type Product Matched Reference Table 1/5

PCB Headers Plugs	WJ15EDG VC-2.5	WJ15EDGVHB -THT-3.5/3.81	WJ15EDGVHB M-THT-3.5/3.81	WJ15EDGVHB N-THT-3.5/3.81	WJ15EDGV HC-THR-3.5	WJ15EDGV HCM-THR-3.5	WJ15EDGVC-THR-3.5/3.81	WJ15EDGVM-THR-3.5/3.81	WJ15EDG KR-3.5/3.81	WJ15EDG KRM-3.5/3.81	WJ15EDG KRN-3.5/3.81	WJ15EDG KNR-3.5	WJ15EDG KNRT-3.5	WJ15EDG VF-3.81	WJ15EDG GB-3.81	WJ15EDG GBM-3.81	WJ15EDG LC-3.5/3.81	WJ15EDG LM-3.5/3.81	WJ15EDG VC-3.5/3.81	WJ15EDG VM-3.5/3.81	WJ15CDG M-3.81	WJ15EDG VT-3.5/3.81	WJ15EDG VTM-3.5/3.81	WJ15EDG VH-3.5/3.81	WJ15EDG VHM-3.5/3.81	WJ15EDG VC-5.08	WJ15EDG VM-5.08	
	WJ15EDG RC-2.5	WJ15EDGRHB -THT-3.5/3.81	WJ15EDGRHB M-THT-3.5/3.81	WJ15EDGRHB N-THT-3.5/3.81	WJ15EDGR HC-THR-3.5	WJ15EDGR HCM-THR-3.5	WJ15EDGRC-THR-3.5/3.81	WJ15EDGRM-THR-3.5/3.81											WJ15EDG RC-3.5/3.81	WJ15EDG RM-3.5/3.81		WJ15EDG RT-3.5/3.81	WJ15EDG RTM-3.5/3.81	WJ15EDG RH-3.5/3.81	WJ15EDG RHM-3.5/3.81	WJ15EDG RC-5.08	WJ15EDG RM-5.08	
	WJ15EDG VH-2.5																											
	WJ15EDG RH-2.5																											
WJ15EDGKD-2.5	●																											
WJ15EDGKN-3.5/3.81		●					●	●				●						●	●									
WJ15EDGKNM-3.5/3.81			●				●			●								●	●	●								
WJ15EDGKNG-3.5/3.81				●									●															
WJ15EDGKN-B-3.5/3.81		●										●																
WJ15EDGKNM-B-3.5/3.81			●																									
WJ15EDGKNG-B-3.5/3.81				●									●															
WJ15EDGKNH-3.5					●																							
WJ15EDGKNHM-3.5						●																						
WJ15EDGKNHG-3.5						●																						
WJ15EDGK-3.5/3.81							●	●			●			●	●		●	●	●	●	●	●	●	●	●	●	●	
WJ15EDGKM-3.5/3.81								●		●					●		●	●	●	●	●	●	●	●	●	●	●	
WJ15EDGKA-3.5/3.81							●	●		●				●	●		●	●	●	●	●	●	●	●	●	●	●	
WJ15EDGKAM-3.5/3.81								●		●					●		●	●	●	●	●	●	●	●	●	●	●	
WJ15EDGKB-3.5/3.81							●	●		●				●	●		●	●	●	●	●	●	●	●	●	●	●	
WJ15EDGKBM-3.5/3.81								●		●					●		●	●	●	●	●	●	●	●	●	●	●	
WJ15EDGKC-3.81							●	●						●	●		●	●	●	●	●	●	●	●	●	●	●	
WJ15EDGKCM-3.81								●		●					●		●	●	●	●	●	●	●	●	●	●	●	
WJ15EDGKD-3.5/3.81							●	●		●			●	●	●		●	●	●	●	●	●	●	●	●	●	●	
WJ15EDGKDM-3.5/3.81								●		●					●		●	●	●	●	●	●	●	●	●	●	●	
WJ15EDGA-3.5/3.81							●	●		●			●	●	●		●	●	●	●	●	●	●	●	●	●	●	
WJ15EDGB-3.5/3.81							●	●		●			●	●	●		●	●	●	●	●	●	●	●	●	●	●	
WJ15EDGAM-3.5/3.81									●																			
WJ15EDGBM-3.5/3.81									●																			
WJ15EDGK-5.08																									●			
WJ15EDGKM-5.08																										●		

插拔式产品互配选型参考表 Plug-in Type Product Matched Reference Table 3/5

PCB Headers	WJ3EDG VC-7.62	WJ3EDG VM-7.62	WJ3CDG M-7.62	WJ3EDG VH-7.62	WJ3EDG VHM-7.62	WJ3EDG VC-10.16	WJ3EDG VM-10.16																		
	WJ3EDG RC-7.62	WJ3EDG RM-7.62		WJ3EDG RH-7.62	WJ3EDG RHM-7.62	WJ3EDG RC-10.16	WJ3EDG RM-10.16																		
		WJ3EDG VZM-7.62		WJ3EDG RRH-7.62	WJ3EDG RRHM-7.62	WJ3EDG RRC-10.16	WJ3EDG RRM-10.16																		
	Plugs	WJ3EDG RZM-7.62																							
WJ3EDGK-7.62	●																								
WJ3EDGKM-7.62		●	●																						
WJ3EDGKH-7.62				●																					
WJ3EDGKHM-7.62					●																				
WJ3EDGK-10.16						●																			
WJ3EDGKM-10.16							●																		
PCB Headers	WJ332J-5.0	WJ333J-3.5																							
	Plugs																								
WJ331-5.0	●																								
WJ332K-5.0	●																								
WJ333K-3.5		●																							
WJ335K-3.5		●																							

MCS多用途连接器互配选型参考表 MCS Terminal Block Matched Reference Table 4/5

MCS Headers Plugs	WJ0102-01XX	WJ0103-01XX	WJ0202-01XX	WJ0203-01XX	WJ0302-01XX	WJ0303-01XX	WJ0402-01XX	WJ0402-03XX	WJ0402-05XX	WJ0402-07XX	WJ0502-01XX	WJ0502-03XX	WJ0502-05XX	WJ0502-07XX	WJ0602-01XX	WJ0602-03XX	WJ0602-05XX	WJ0602-07XX
	WJ0102-02XX		WJ0202-02XX	WJ0203-02XX	WJ0302-02XX	WJ0303-02XX	WJ0402-02XX	WJ0402-04XX	WJ0402-06XX	WJ0402-08XX	WJ0502-02XX	WJ0502-04XX	WJ0502-06XX	WJ0502-08XX	WJ0602-02XX	WJ0602-04XX	WJ0602-06XX	WJ0602-08XX
WJ0101-01XX	●	●																
WJ0101-02XX	●	●																
WJ0201-01XX			●	●														
WJ0201-02XX			●	●														
WJ0301-01XX					●	●												
WJ0301-02XX					●	●												
WJ0401-01XX							●	●										
WJ0401-02XX							●	●	●	●								
WJ0401-03XX							●	●										
WJ0401-04XX							●	●	●	●								
WJ0401-05XX							●	●	●	●								
WJ0401-06XX							●	●	●	●								
WJ0401-07XX							●	●	●	●								
WJ0401-08XX							●	●	●	●								
WJ0501-01XX											●	●						
WJ0501-02XX											●	●	●	●				
WJ0501-03XX											●	●						
WJ0501-04XX											●	●	●	●				
WJ0501-05XX											●	●	●	●				
WJ0501-06XX											●	●	●	●				
WJ0501-07XX											●	●						
WJ0501-08XX											●	●	●	●				
WJ0601-01XX															●	●	●	●
WJ0601-02XX															●	●	●	●
WJ0601-03XX															●	●	●	●
WJ0601-04XX															●	●	●	●
WJ0601-05XX															●	●	●	●
WJ0601-06XX															●	●	●	●
WJ0601-07XX															●	●	●	●
WJ0601-08XX															●	●	●	●
WJ0701-01XX																		
WJ0701-02XX																		
WJ0701-03XX																		
WJ0701-04XX																		
WJ0701-05XX																		
WJ0701-06XX																		
WJ0701-07XX																		
WJ0701-08XX																		

MCS多用途连接器互配选型参考表 MCS Terminal Block Matched Reference Table 5/5

MCS Headers Plugs	WJ0702-01XX	WJ0702-03XX	WJ0702-05XX	WJ0702-07XX	WJ0403-01XX	WJ0403-04XX	WJ0503-01XX	WJ0503-04XX	WJ0603-01XX	WJ0603-04XX	WJ0703-01XX	WJ0703-04XX					
	WJ0702-02XX	WJ0702-04XX	WJ0702-06XX	WJ0702-08XX	WJ0403-02XX	WJ0403-05XX	WJ0503-02XX	WJ0503-05XX	WJ0603-02XX	WJ0603-05XX	WJ0703-02XX	WJ0703-05XX					
					WJ0403-03XX	WJ0403-06XX	WJ0503-03XX	WJ0503-06XX	WJ0603-03XX	WJ0603-06XX	WJ0703-03XX	WJ0703-06XX					
WJ0101-01XX																	
WJ0101-02XX																	
WJ0201-01XX																	
WJ0201-02XX																	
WJ0301-01XX																	
WJ0301-02XX																	
WJ0401-01XX					●												
WJ0401-02XX						●											
WJ0401-03XX					●												
WJ0401-04XX						●											
WJ0401-05XX					●												
WJ0401-06XX						●											
WJ0401-07XX					●												
WJ0401-08XX						●											
WJ0501-01XX							●										
WJ0501-02XX								●									
WJ0501-03XX							●										
WJ0501-04XX								●									
WJ0501-05XX							●										
WJ0501-06XX								●									
WJ0501-07XX							●										
WJ0501-08XX								●									
WJ0601-01XX									●								
WJ0601-02XX										●							
WJ0601-03XX										●							
WJ0601-04XX										●							
WJ0601-05XX										●							
WJ0601-06XX										●							
WJ0601-07XX										●							
WJ0601-08XX										●							
WJ0701-01XX	●	●									●						
WJ0701-02XX	●	●	●	●								●	●				
WJ0701-03XX	●	●									●						
WJ0701-04XX	●	●	●	●								●	●				
WJ0701-05XX	●	●									●						
WJ0701-06XX	●	●	●	●								●	●				
WJ0701-07XX	●	●									●						
WJ0701-08XX			●	●								●					

